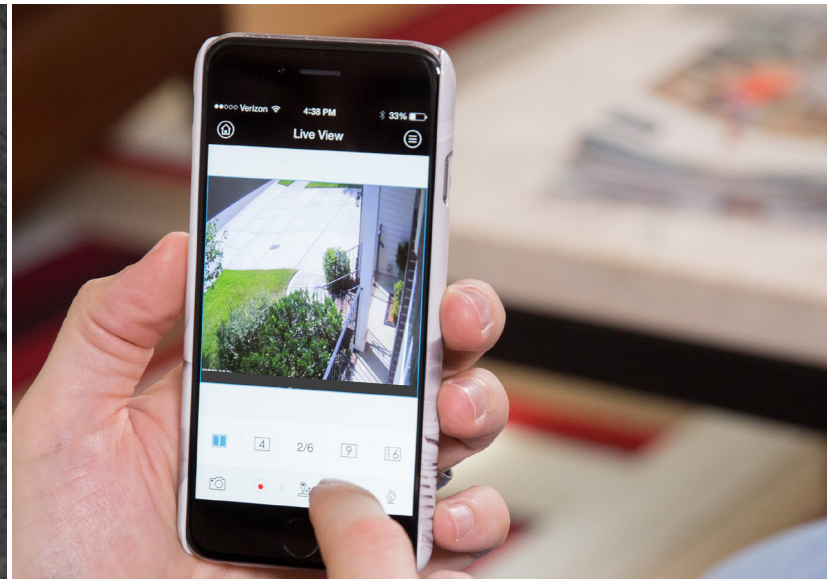


## 110-Series Analog Camera

Our 110-Series analog cameras from Luma Surveillance let you access high-resolution video from any outdoor scene. The 2MP Fixed Lens camera lets you watch your security footage in 1080p resolution. This camera offers stunning clarity over analog that won't disappoint.



### ILLUMINATE YOUR WORLD

Luma 110-Series cameras provide up to 60 feet of infrared (IR) signal, helping combat overexposure in dim settings and evenly illuminates the subject, so you won't miss a thing that's happening on your property.



### KEEP A LOW PROFILE

Our 110-Series has a small and sleek profile to suit any aesthetic. These cameras will blend in, while still offering the highest quality security footage.



### WEATHERPROOF

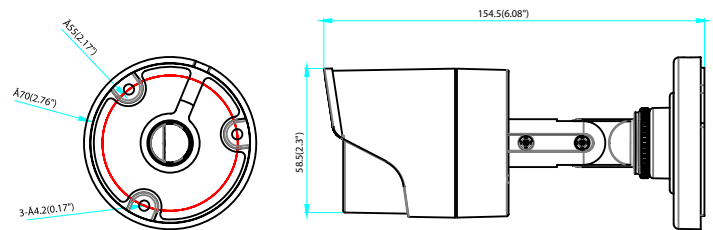
We build our camera housing tough, so they can withstand the harshest elements. You can rest assured that a strong storm or heavy rains won't impact their best-in-class performance.

# Technical Specs & Features

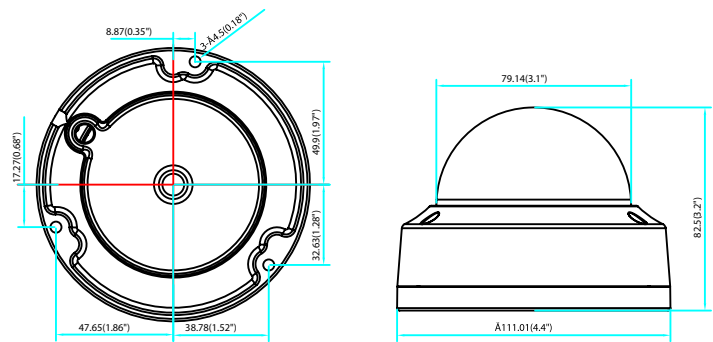
FEATURES	LUMA
	110 Series
Housing Options	Dome Mini Turret Mini Bullet
Color Options	White or Black/Gray
Resolution	2MP
HD-TVI Support	✓
Lens Type	Fixed
IR Range	20m
Starlight	✗
IP66 Outdoor Rating	✓
Temperature Range	-22°F-140°F
True-WDR	✗
D-WDR Wide Dynamic Range	✓

SKU	Dimensions (W x H x D)
LUM-110-BUL-A-XX	2.3" x 2.3" x 6.08"
LUM-110-DOM-A-XX	4.4" x 3.2" x 4.4"
LUM-110-TUR-A-XX	3.52" x 2.7" x 3.52"

## LUM-110-BUL-A-WH/GR TECHNICAL DIMENSIONS



## LUM-110-DOM-A-WH/BL TECHNICAL DIMENSIONS



## LUM-110-TUR-A-WH/BL TECHNICAL DIMENSIONS

