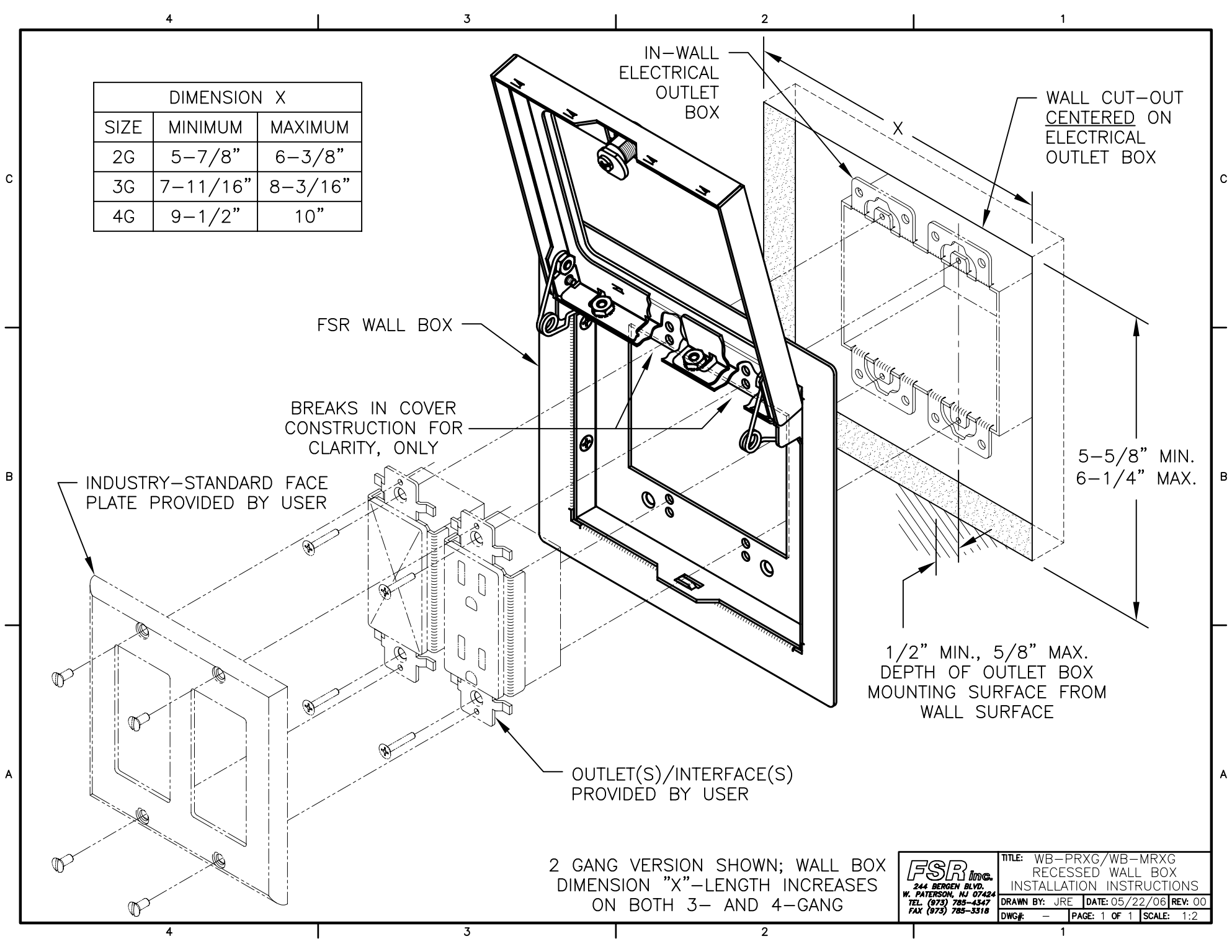
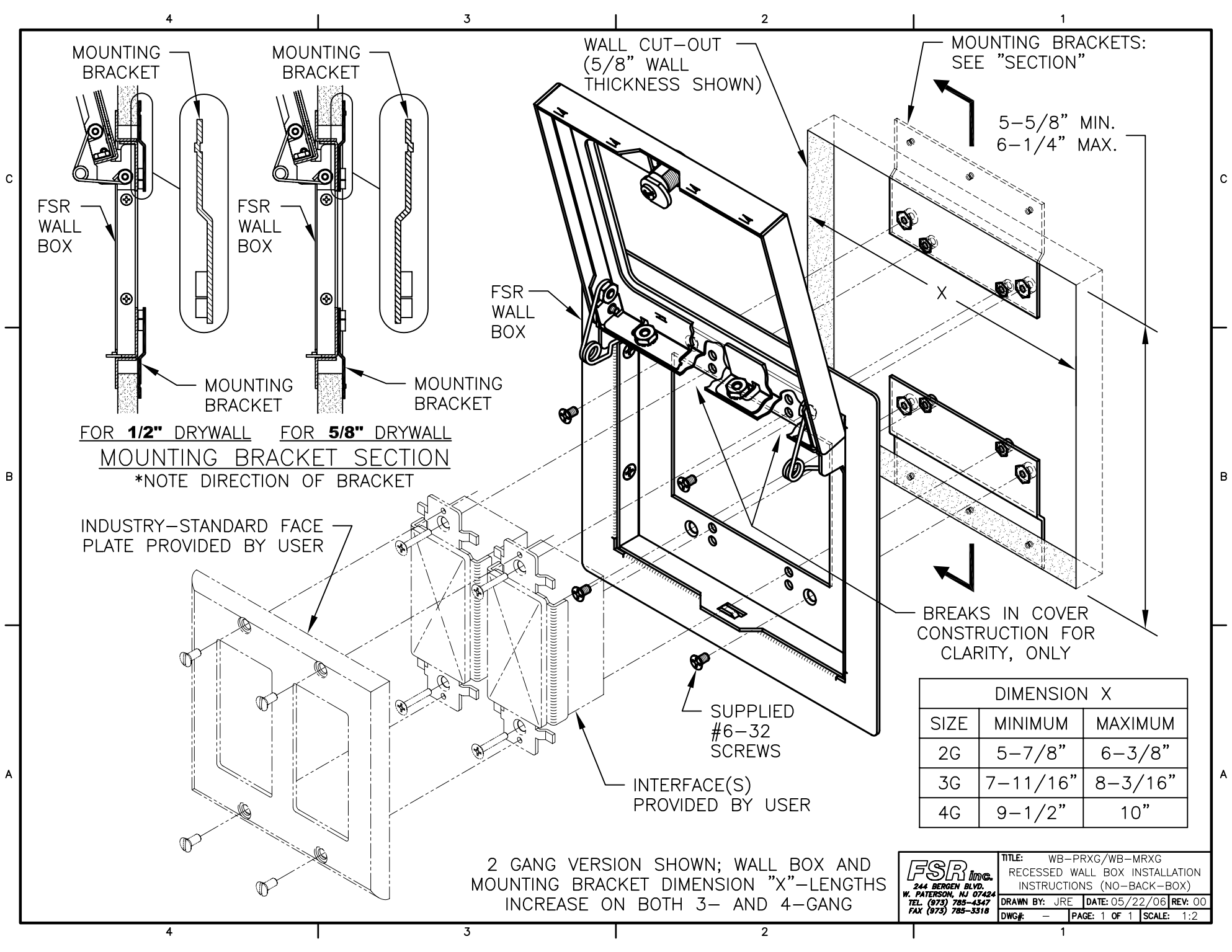


DIMENSION X		
SIZE	MINIMUM	MAXIMUM
2G	5-7/8"	6-3/8"
3G	7-11/16"	8-3/16"
4G	9-1/2"	10"



2 GANG VERSION SHOWN; WALL BOX DIMENSION "X"—LENGTH INCREASES ON BOTH 3- AND 4-GANG

<p>FSR <i>INC.</i> 244 BERGEN BLVD. W. PATERSON, NJ 07424 TEL. (973) 785-4347 FAX (973) 785-3318</p>	<p>TITLE: WB-PRXG/WB-MRXG RECESSED WALL BOX INSTALLATION INSTRUCTIONS</p>		
	<p>DRAWN BY: JRE</p>	<p>DATE: 05/22/06</p>	<p>REV: 00</p>
	<p>DWG#:</p>	<p>PAGE: 1 OF 1</p>	<p>SCALE: 1:2</p>



FOR 1/2" DRYWALL MOUNTING BRACKET SECTION
 FOR 5/8" DRYWALL MOUNTING BRACKET SECTION
 *NOTE DIRECTION OF BRACKET

INDUSTRY-STANDARD FACE PLATE PROVIDED BY USER

SUPPLIED #6-32 SCREWS
 INTERFACE(S) PROVIDED BY USER

BREAKS IN COVER CONSTRUCTION FOR CLARITY, ONLY

DIMENSION X		
SIZE	MINIMUM	MAXIMUM
2G	5-7/8"	6-3/8"
3G	7-11/16"	8-3/16"
4G	9-1/2"	10"

2 GANG VERSION SHOWN; WALL BOX AND MOUNTING BRACKET DIMENSION "X"-LENGTHS INCREASE ON BOTH 3- AND 4-GANG

FSR *INC.*
 244 BERGEN BLVD.
 W. PATERSON, NJ 07424
 TEL. (973) 785-4347 FAX (973) 785-3318

TITLE: WB-PRXG/WB-MRXG
 RECESSED WALL BOX INSTALLATION INSTRUCTIONS (NO-BACK-BOX)
 DRAWN BY: JRE DATE: 05/22/06 REV: 00
 DWG#: - PAGE: 1 OF 1 SCALE: 1:2