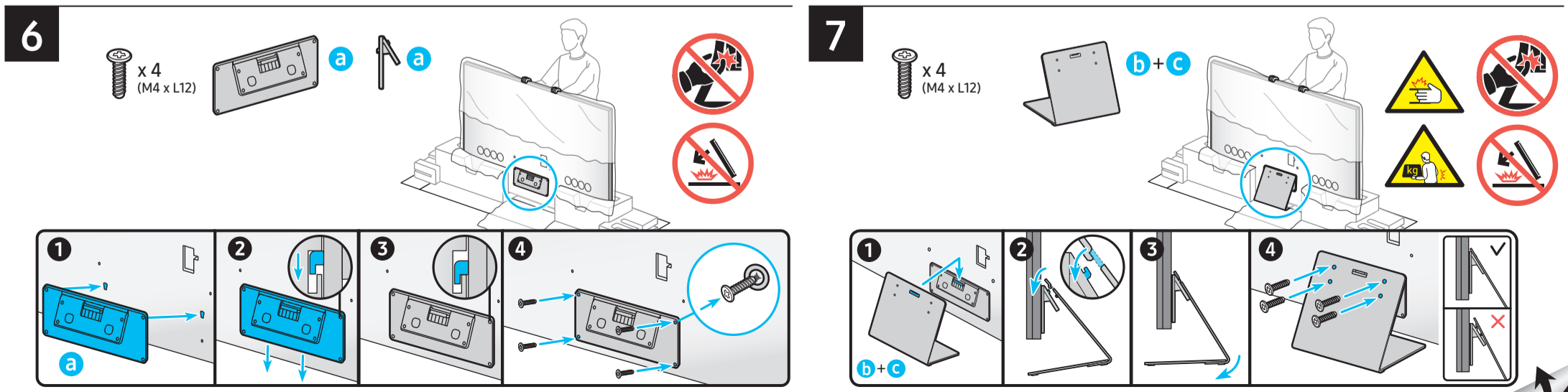
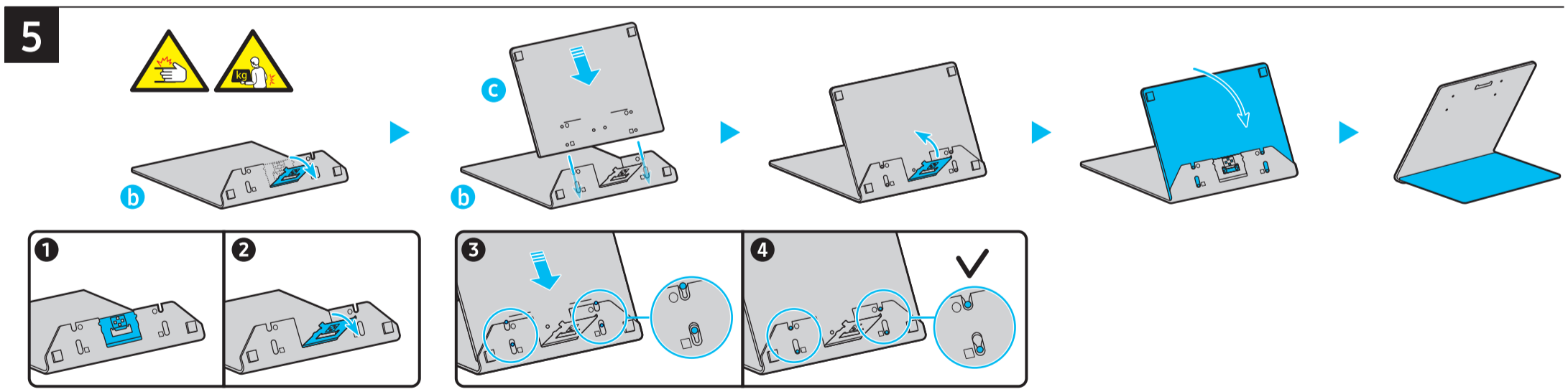
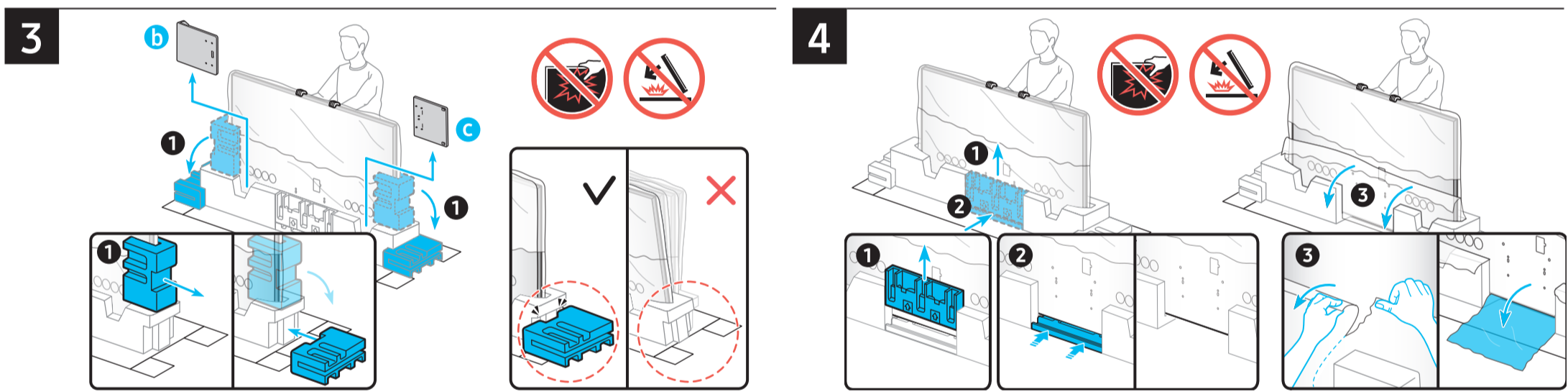
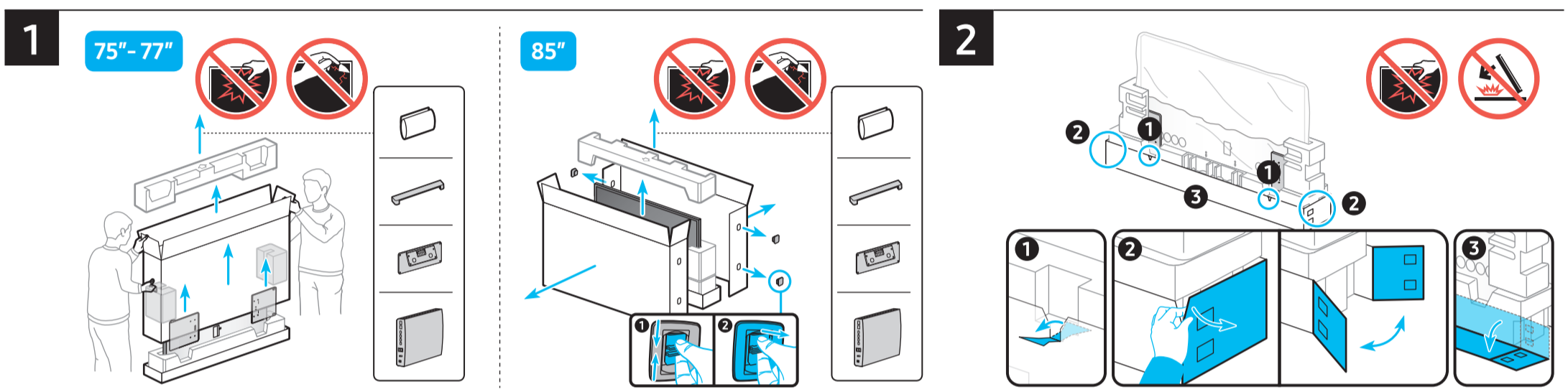
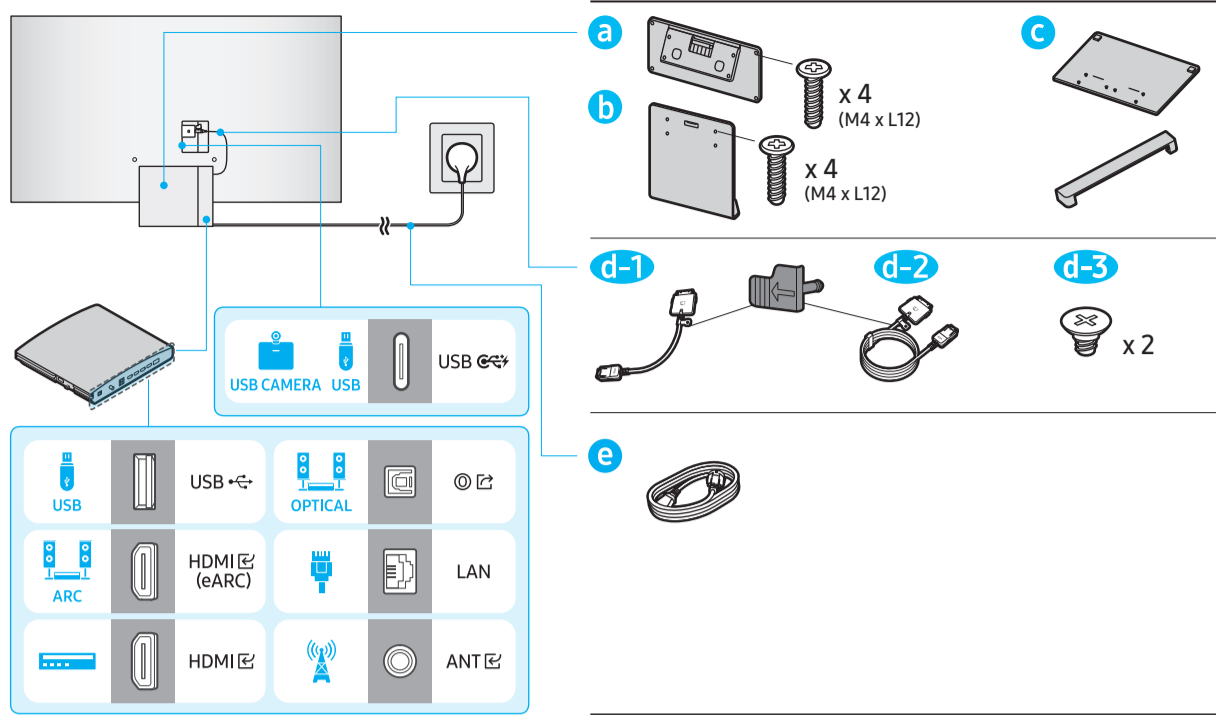


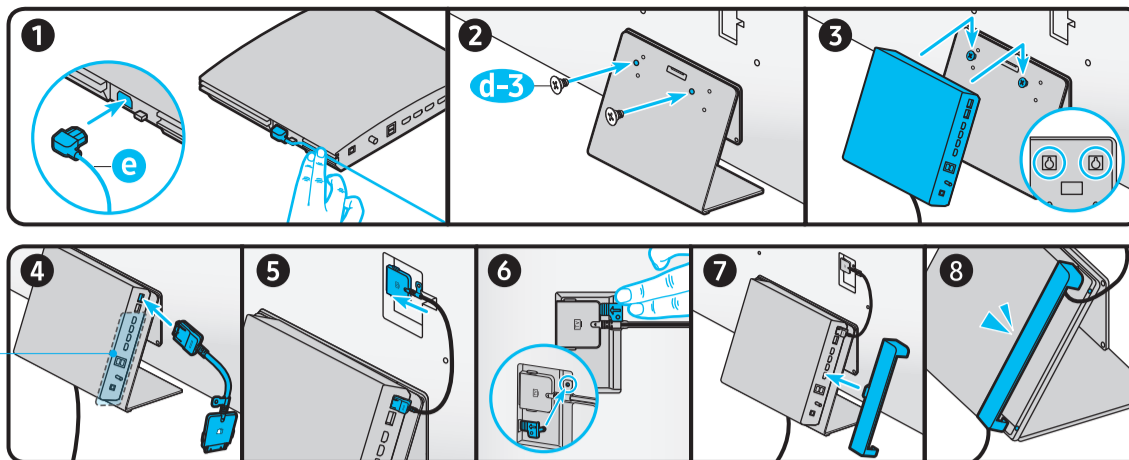
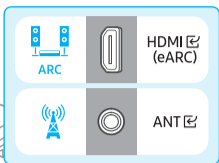
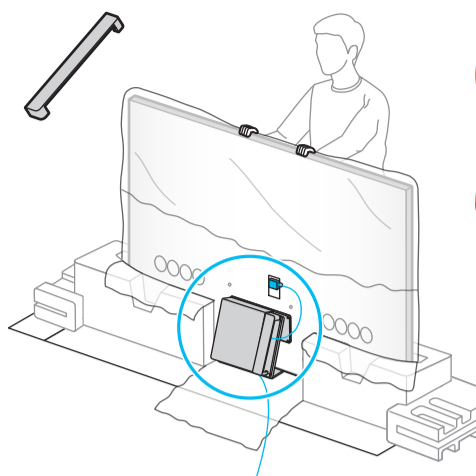
SAMSUNG

Unpacking and Installation Guide
 Guide de déballage et d'installation
 Guía de desembalaje e instalación
 Manual de desempacotamento e instalação
 Auspacken und Installationsanleitung
 Guida al disimballaggio e all'installazione

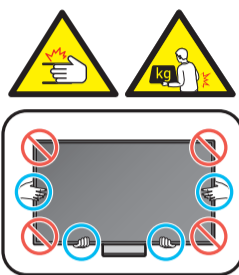


8

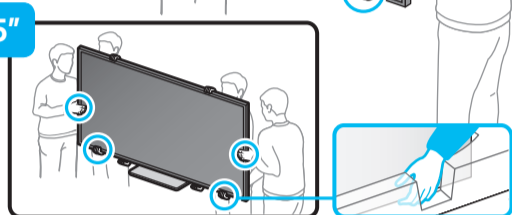
d-3
x 2



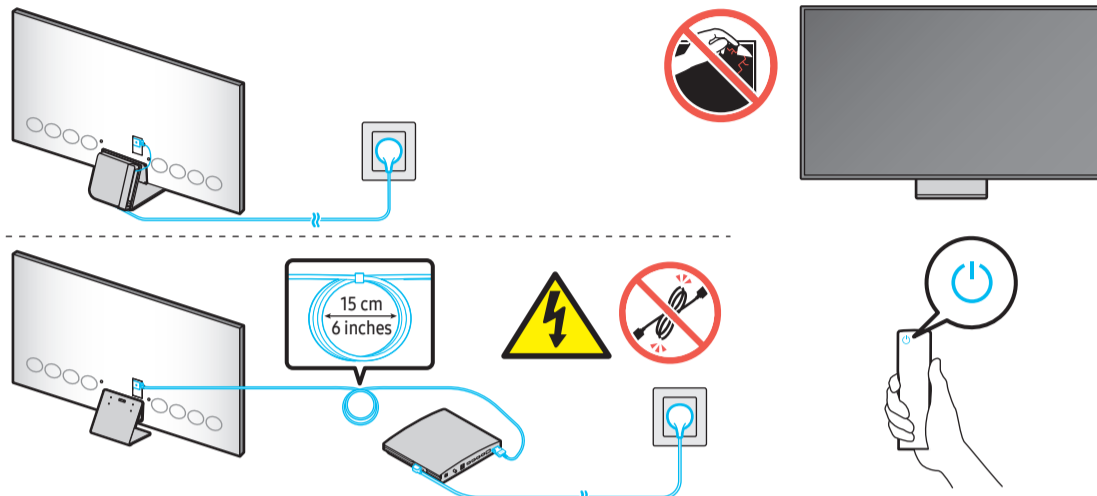
9



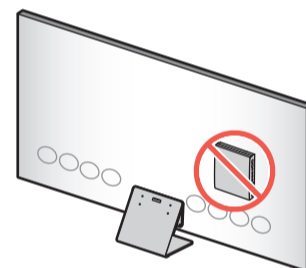
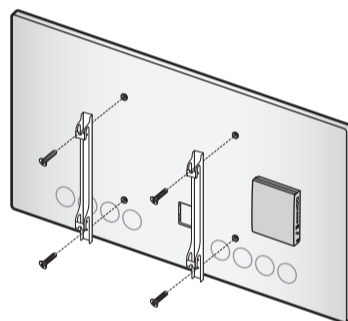
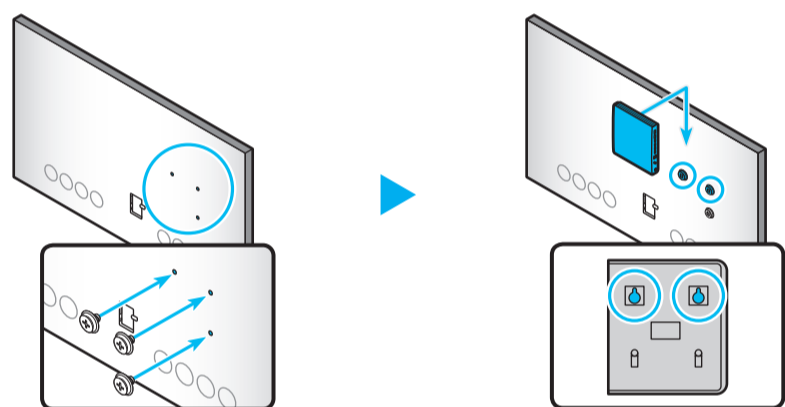
85"



10

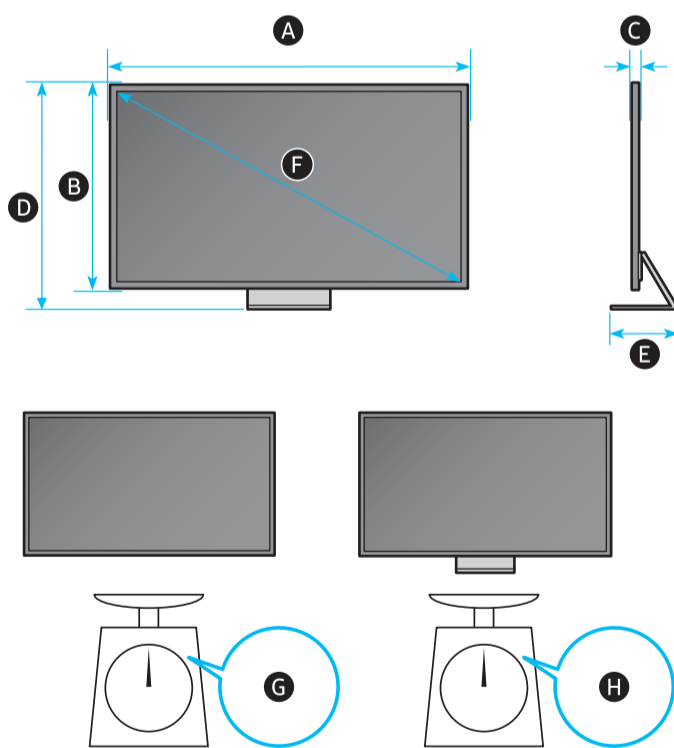


* When installing the TV as wallmount, You can place the One Connect Box as shown below. /
Lorsque vous installez le téléviseur sur un support mural, vous pouvez positionner le boîtier One Connect comme indiqué ci-dessous. /
Ao instalar a TV como suporte de parede, você pode posicionar o One Connect Box como mostrado abaixo. /
Al instalar el televisor como montaje de pared, puede colocar la caja de One Connect como se muestra a continuación.



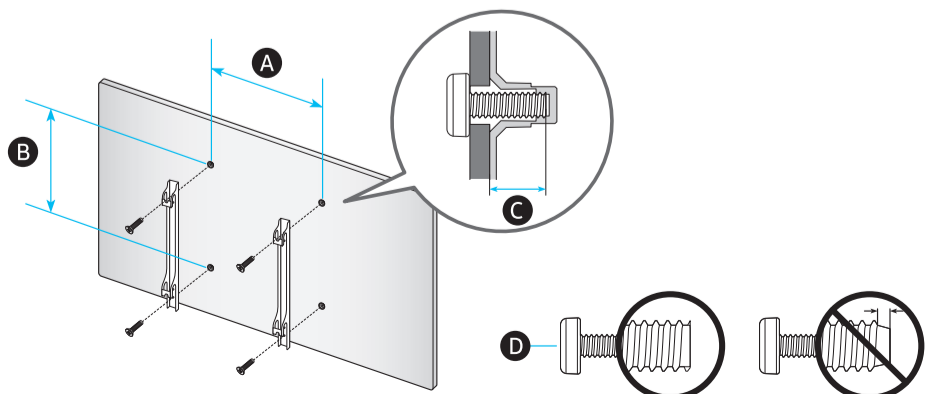
HOLDER-BOLT x 3
BOULON DE SUPPORT x 3
PARAFUSO DE SUPORTE x 3
3 TORNILLOS DEL SOPORTE)

- ⚠ When installing the TV as stand, Don't place the One Connect Box on back of the TV.
- ⚠ Lorsque vous installez le téléviseur sur un socle, ne positionnez pas le boîtier One Connect à l'arrière du téléviseur.
- ⚠ Al instalar el televisor como soporte, no coloque la caja de One Connect en la parte trasera del televisor.
- ⚠ Quando instalar a TV como um suporte, não coloque o One Connect Box na parte traseira da TV.



	A	B	C	D	E	F	G	H
77S95C	67.6 inches (1716.6 mm)	38.7 inches (984.1 mm)	0.4 inches (11.2 mm)	41.3 inches (1048.1 mm)	11.3 inches (286.4 mm)	76.8 inches	62.2 lbs (28.2 kg)	88.2 lbs (40.0 kg)
75QN7**C	65.7 inches (1668.3 mm)	37.6 inches (955.6 mm)	0.7 inches (18.3 mm)	40.3 inches (1023.8 mm)	11.3 inches (286.4 mm)	74.5 inches	69.7 lbs (31.6 kg)	95.7 lbs (43.4 kg)
75QN8**C	65.7 inches (1668.3 mm)	37.6 inches (955.6 mm)	0.7 inches (17.6 mm)	40.3 inches (1023.8 mm)	11.3 inches (286.4 mm)	74.5 inches	70.3 lbs (31.9 kg)	96.3 lbs (43.7 kg)
85QN8**C	74.5 inches (1893.4 mm)	42.6 inches (1083.0 mm)	0.7 inches (17.6 mm)	45.4 inches (1153.4 mm)	12.0 inches (303.7 mm)	84.5 inches	97.9 lbs (44.4 kg)	127.2 lbs (57.7 kg)
75QN9**C	65.1 inches (1654.8 mm)	37.2 inches (945.6 mm)	0.6 inches (15.4 mm)	40.0 inches (1016.9 mm)	11.3 inches (286.4 mm)	74.5 inches	68.8 lbs (31.2 kg)	94.8 lbs (43.0 kg)
85QN9**C	73.9 inches (1876.6 mm)	42.2 inches (1071.5 mm)	0.6 inches (15.4 mm)	45.1 inches (1146.8 mm)	12.0 inches (303.7 mm)	84.5 inches	96.3 lbs (43.7 kg)	125.7 lbs (57.0 kg)

*: 0-9, A-Z



	VESA A x B (mm)	C (mm)	D
77S95C	400 x 400	5-6	M8
75QN7**C			
75QN8**C			
85QN8**C	600 x 400		
75QN9**C	400 x 400		
85QN9**C	600 x 400		

*: 0-9, A-Z