



710 Series Bullet  
510 Series Bullet  
310 Series Bullet

HD Analog Surveillance Camera

# **Installation & Operation Manual**

## Box Contents

- Camera
- Self-adhesive mounting template
- 4 x wall anchors with screws
- 3mm hex wrench
- CC tester cable

## Required Equipment

Aside from the contents of this box, you will need to provide

- Phillips screwdriver
- Power source: either 12V DC or 24V AC
- CC-TV tester (recommended)

## Inspection

Ensure that the device is in good condition and all the assembly parts are included.

We recommend installing with RG-59 or RG-6 cabling with two-wire power (either regular or siamese). This provides better performance over distance than using traditional category cable with baluns. For more details, see the product page at [SnapAV.com](http://SnapAV.com).

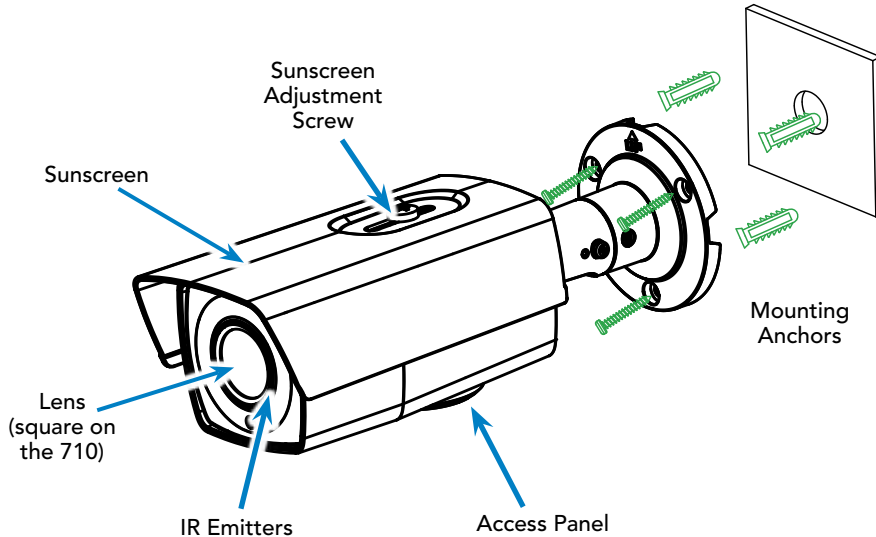
- Make sure that all equipment is powered off during installation.
- Ensure the wall is strong enough to withstand three times the weight of the camera and the mount.
- If the mounting surface is cement, use the included expansion screws to install the camera. If mounting to a wood surface, use self-tapping wood screws (not included) to secure the camera.
- If the product does not function properly, please contact technical support. Do not disassemble the camera for repair or maintenance.



**WARNING:** This product can expose you to chemicals including cadmium, which is known to the State of California to cause cancer. For more information go to [www.P65Warnings.ca.gov](http://www.P65Warnings.ca.gov).

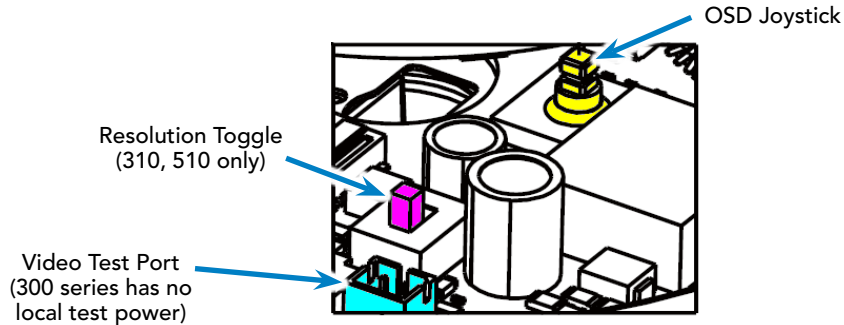
## Overview

Before installing, familiarize yourself with the parts of your camera.



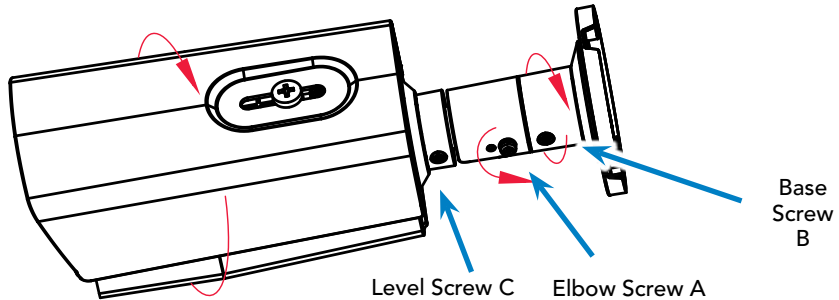
## Prepare for Installation

1. Drill a cable hole and pilot holes for your screws in the ceiling, using the supplied template.
2. If you are installing this camera in an older system that does not support HD-TVI, unscrew the access panel cap on the bottom of the camera, and flip the camera's resolution toggle, shown below, to the CVBS position.



## Install the Camera

1. Route the cables through the cable hole.
2. Attach the base of the camera to the ceiling and secure it with screws.
3. This camera has an elbow joint flanked by two rotational joints for perfect pan and tilt control. Loosen the three hex screws in the camera. Adjust the angle of the elbow as desired, and tighten the elbow hex screw, A. Rotate the camera so that it's facing in the proper direction, and tighten the base screw, B. Finally, spin the camera casing so that the picture is level, and tighten the level hex screw, C.



## Adjust the Camera

1. *Optional:* If this is an HD installation and you want to use the camera's on-screen display through your DVR or the web interface, go into the DVR's menu and set the camera protocol to *HIK-C (Coaxitron)*. To do so from the DVR's local interface, go to **Settings > Camera > PTZ**, then click the **PTZ Settings** button. From the web interface, go to **Configure the Recorder > Camera Settings > PTZ Settings**. *If this is a 960H installation, you can only use the OSD menu locally at the camera.*
2. Adjust or remove the sunscreen. You can slide the shade back and forth by loosening the screw slightly; tighten when finished. You can remove the sunscreen by removing the screw, then removing the shade; then replacing the screw when finished. *Do not remove the sunscreen unless the camera is never in direct sunlight, and only if the camera is angled down so dust does not get on its lens.*
3. If necessary, adjust the camera's zoom and focus by using the OSD and the joystick (see page 5). See our website for a manual covering operation of the in-camera menu.
4. If you want to adjust the camera settings using a CC tester, do that now (see the OSD manual on our website). Otherwise, use the DVR's controls to adjust the camera settings.



## Support

### Need Help? Contact Tech Support!

If you need further clarification, please email [support@SnapAV.com](mailto:support@SnapAV.com). For more information, instructional videos, support documentation, or ideas, visit our website and view your item's product page.

### 5-Year Limited Warranty

This Luma Surveillance™ product has a 5-Year Limited Warranty. This warranty includes parts and labor repairs on all components found to be defective in material or workmanship under normal conditions of use. This warranty shall not apply to products that have been abused, modified or disassembled. Products to be repaired under this warranty must be returned to a designated service center with an assigned return authorization (RA) number. Contact technical support for an RA number.

Copyright ©2015–2023 by SnapAV. All rights reserved. SnapAV, Luma Surveillance, and all related marks and images are trademarks or registered trademarks of SnapAV.

Version 230824-1030