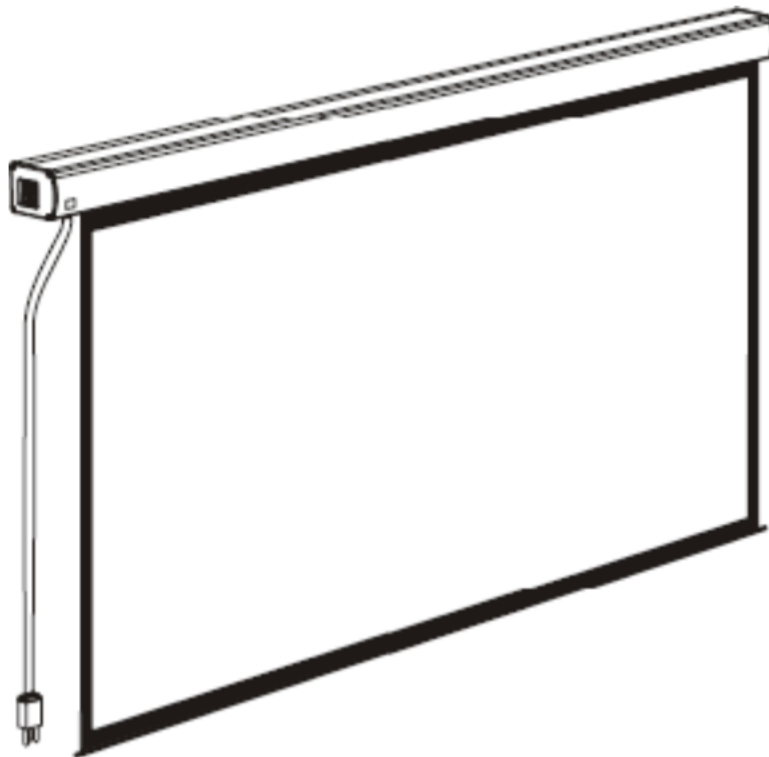


SEVERTSON

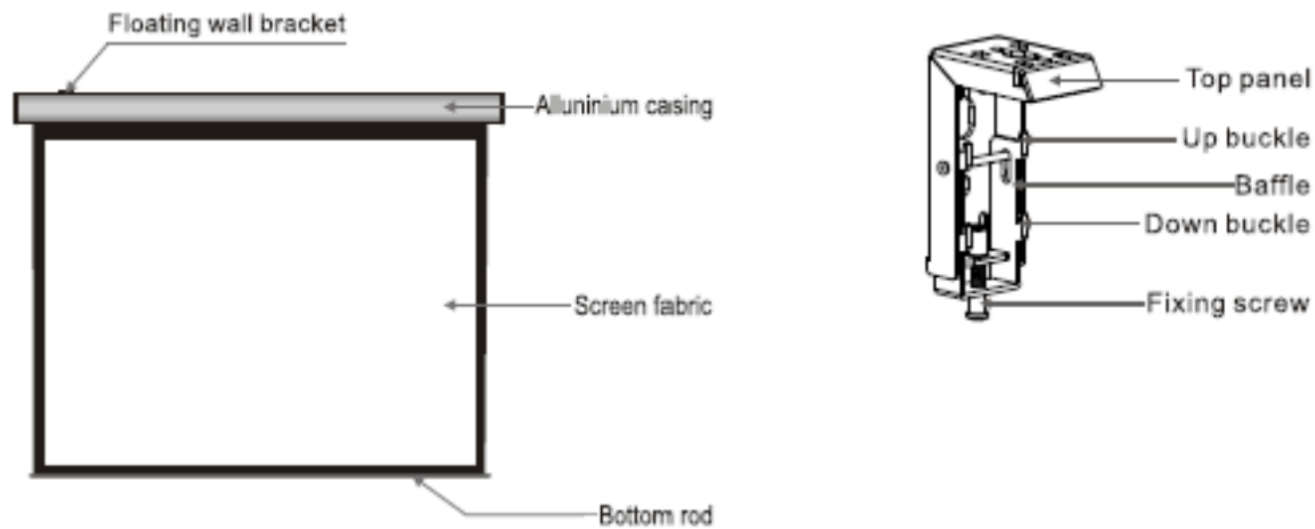
Instruction Manual for Cinema & Tension Deluxe Electric Series



MODEL: GE169XXX, GE1610XXX, GT169XXX, GT1610XXX, GT235XXX

Thank you for purchasing a Severtson projection screen.
Before use, please read the instructions carefully. After installation, store the instructions for future reference.

Overview



Parts Included

- Floating wall bracket (2pcs)



- $\phi 5 \times 40$ mm Tapping screw & cap (8sets)



- M5x10 Screw (6pcs)



- Ceiling hanger (2pcs)



- Trigger line (1pc)



- External IR Receiver (1pc)



- Allen key (1pc)



- Instruction manual (1pc)

Motorized Screen Power Specifications

Voltage	Frequency	Watts	Application
230V/120V/100V	50Hz/60Hz	90W/80W	Applies up to 120" motorized screens

Installation Instructions

Take out all the parts from the packaging and verify that all the parts have been included, then follow the steps below to install the screen.

1. Determine the desired mounting method and follow the correct procedure for installing the mounting brackets (*See Table-1 Below*). Make sure the brackets are level before securing them in place. For hanging by wire installation, see instructions on page 4.



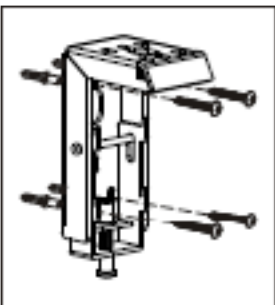
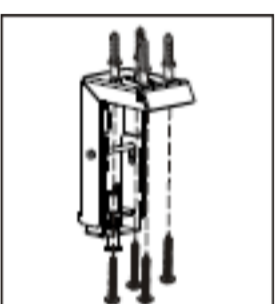
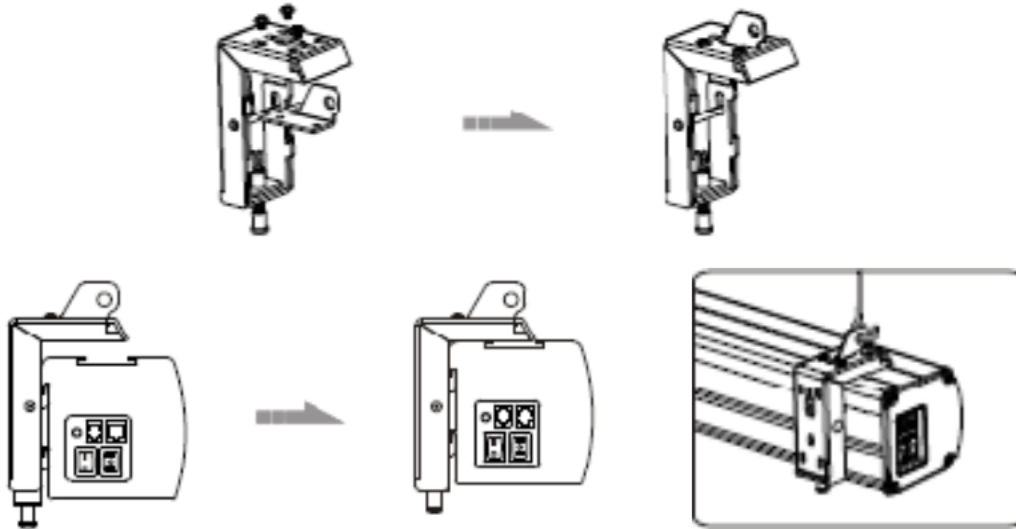
Mounting Method	Screw Placement	Instructions
Wood Framed Wall		Using four wood screws (5x40mm) for each bracket, secure each bracket to the wall. Make sure that the screws penetrate into the studs of the framed wall, otherwise the brackets will not be securely fastened.
Wood Ceiling		Using four wood screws (5x40mm) for each bracket, secure each bracket to the ceiling. Make sure that the screws penetrate into the studs of the ceiling, otherwise the brackets will not be securely fastened.
Concrete Wall		Use an electric drill to drill four holes for each bracket and hammer the provided tapping anchors into each hole. Secure the brackets onto the wall by fastening the tapping screws (5x40mm) to the tapping anchors.
Concrete Ceiling		Use an electric drill to drill four holes for each bracket and hammer the provided tapping anchors into each hole. Secure the brackets onto the ceiling by fastening the tapping screws (5x40mm) to the tapping anchors.

Table-1

Installation Instructions

To mount the screen to the ceiling hanging by wire, attach the ceiling hangers to the brackets with the included screws (M5x10). The brackets are now for installing the screen



2. In preparation to put the screen on the brackets, loosen the fixing screw on each bracket to lower the baffle.

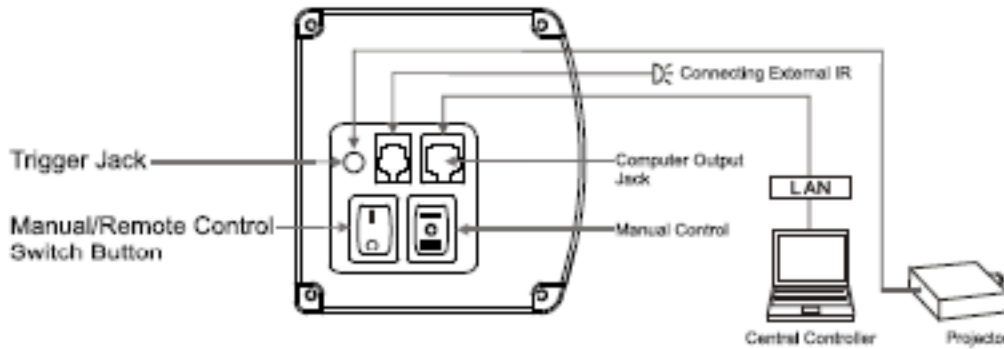


3. Now place the screen on the baffle hooks making sure they latch onto the screen casing.
4. Tighten the fixing screws on each bracket to lock the screen onto the brackets.



Controlling the Screen

There are many different options included to control the projection screen. Only connect the screen to the options that will be used.

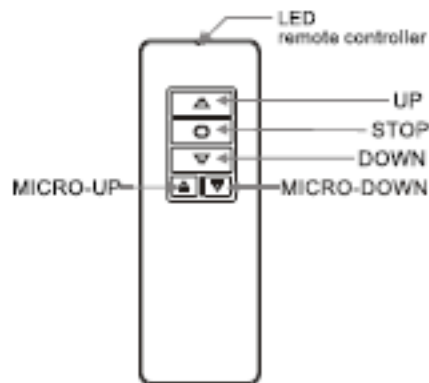


Important: When the screen is set to manual control, only manual control of the screen will work. For any other type of control set the screen to remote control.

The trigger jack recognizes outputs of DC 5V-12V. When power is sensed the screen will automatically lower. When power is off the screen will rise back into the case.

Remote Control

The remote control will work up to 26' from the projection screen and an angle of up to 30°



Adjusting the Screen

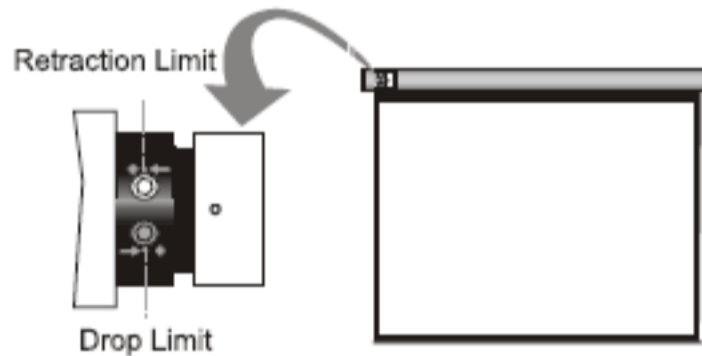
Adjusting the Limits

The projector screen drop and retract limit is factory-set to an optimal configuration. Please ask your local dealer or a professional to adjust the screen limits to avoid damage to the screen material or motor.

The limit adjustments are located on the power side of the screen. Stand underneath the projection screen and look up into the opening where the screen material retracts.

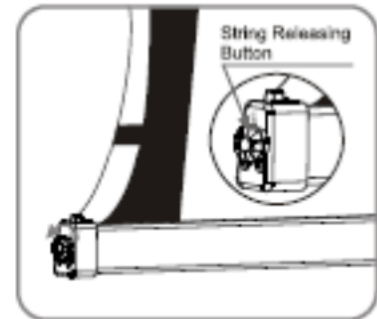
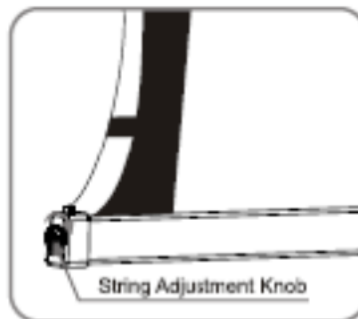
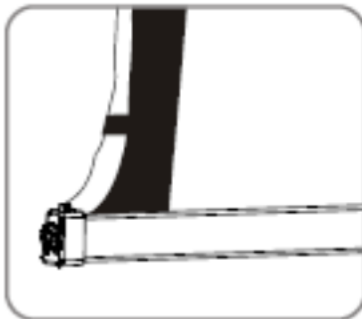
To adjust the drop of the material remove the round plastic plug for easy access. Use the limit adjustment tool provided and turn towards the + to let more material drop.

To adjust the height limit, use the limit adjustment tool on the other limit screw.



Adjusting the Tension Strings *(only applies to Tab Tension models)*

If the screen is loose, turn the string adjustment knob to tighten the strings tension. If the string is too tight, press the release button inward on the string adjustment knob and turn the knob the opposite direction.



Warnings

1. Do not attempt to take apart or modify the screen. If any problems occur please contact your local dealer.
2. Make sure the brackets used are firmly secured to the wall to avoid any damage.
3. Make sure fixing screws are tight to avoid any damages.
4. When installing electric motors use a professional or contact your local dealer. Incorrect connection of wires may result in leaks or fires.
5. Florescent lights may cause interference with infrared signal.
6. Be careful not to scratch or damage the screen surface while handling it.
7. Do not write or draw on screen surface. Do not poke, fold, or tear screen material.
8. Do not use detergents or harsh chemicals to clean screen material. A soft cloth and mild soap can clean dust and dirt off the screen material. A cotton cloth can be used to gently wipe dust off of the frame.
9. Retract the screen after each use.
10. To prevent unnecessary damage, the assembly and maintenance of the screen should be done by adults.



Ignoring the safety warnings may lead to injuries and/or damaging the product.



Brackets should be installed in a secure place to avoid accidents caused by the screen falling.



Please contact your local dealer for repairs or maintenance. Please contact our company if you have any further questions.

Use caution when installing or removing the screen. Loose parts may cause the screen to fall.



Severtson Corporation

216 S. Alma School Rd. Ste 3
Mesa, AZ 85210

Toll Free: 1-866-510-5155

Phone: 1-480-610-5155 Fax: 1-480-237-5964

Email: sales@severtsonscreens.com

Website: www.severtsonscreens.com