

### Caséta® Wireless In-Wall Dimmer PRO

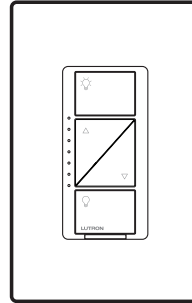
The Caséta® Wireless In-Wall Dimmer PRO controls lighting loads, both directly and remotely when paired with Pico® remote controls, providing a system that delivers convenience and ease of installation.

The Caséta® Wireless In-Wall Dimmer PRO uses Lutron® patented Clear Connect® RF Technology which enables wireless communication with Pico® remote controls and the Lutron® Smart Bridge™ and Smart Bridge™ Pro.

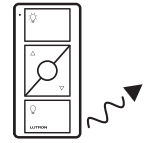
#### Features

- The Caséta® Wireless In-Wall Dimmer PRO provides dimming of multiple load types and, when paired with Pico® remote controls, allows remote control from anywhere in the space.
- When used with the Lutron® Smart Bridge™ or Smart Bridge™ Pro, the Caséta® Wireless In-Wall Dimmer PRO may be programmed via the Lutron® app, incorporated into lighting scenes, scheduled for daily events, and controlled from anywhere in the world<sup>1</sup>.
- Lutron® patented Clear Connect® RF Technology works through walls and floors.
- Includes Front Accessible Service Switch (FASS™) for safe lamp replacement.
- Neutral-optional dimmer is ideal for retrofit applications when used in two-wire mode.
- Compatible with Lutron® Hi-lume® A-Series LTE LED driver, PHPM interfaces and GRX-TVI interfaces. Neutral wire is required for drivers and interfaces.
- Works with compatible dimmable LEDs as well as incandescent, halogen, and halogen-based MLV loads.
- Compatible with dimmable ballasts.

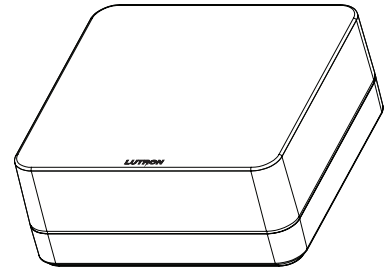
Caséta® Wireless In-Wall Dimmer PRO



Pico® Remote Control

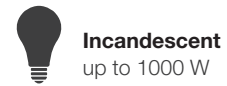
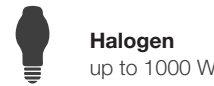


Lutron® Smart Bridge™ and Smart Bridge™ Pro



#### Load Types and Capacity<sup>2</sup>

See [www.casetawireless.com/bulblast](http://www.casetawireless.com/bulblast) for the latest list of compatible bulbs.



<sup>1</sup> The Lutron® app is required for setup and use with the Smart Bridge™ and Smart Bridge™ Pro. The Lutron® app is compatible with iOS® devices version 6.0 or later and Android® devices 4.0 or later.

<sup>2</sup> See **Ganging and Derating** section.

iOS is a registered trademark of Cisco in the U.S. and other countries and is used under license. Android is a registered trademark of Google Inc.

Job Name:	Model Numbers:
Job Number:	

## Specifications

### Regulatory Approvals

- cULus Listed
- NOM certified
- FCC approved. Complies with the limits for a Class B digital device, pursuant to Part 15 of the FCC Rules
- Industry Canada certified
- IFTTEL certified

### Power

- Operating voltage: 120 V~ 50/60 Hz

### Key Design Features\*

- Tested to withstand electrostatic discharge without damage or memory loss, in accordance with IEC 61000-4-2.
- Tested to withstand surge voltages without damage or loss of operation, in accordance with IEEE C62.41-1991 Recommended Practice on Surge Voltages in Low-Voltage AC Power Circuits.
- Dimmers always operate locally and do not require system control.
- Power failure memory: should power be interrupted, the control will return to its previously set level prior to the interruption when power is restored.
- Uses Lutron® Claro® wallplates or designer-style wallplates from other manufacturers. Wallplates are sold separately.
- Lutron® Claro® wallplates snap on with no visible means of attachment.
- Requires a 1-gang U.S. wallbox. 3½ in (89 mm) deep recommended, 2¼ in (57 mm) deep minimum.
- Green LEDs indicate load status.

### System Communications and Capacity

- The Caséta® Wireless In-Wall Dimmer PRO communicates with Pico® remote controls and Lutron Smart Bridge™ or Smart Bridge™ Pro via radio frequency (RF).
- The Caséta® Wireless In-Wall Dimmer PRO must be located within 60 ft (18 m) line-of-sight or 30 ft (9 m) through walls, of Pico® remote controls and Smart Bridge™ or Smart Bridge™ Pro.

### Device limits

- Pico® remote controls only: up to 10 Pico® remote controls may be paired to each Caséta® Wireless In-Wall Dimmer PRO (with no Smart Bridge™ installed).
- Smart Bridge™ or Smart Bridge™ Pro system: up to 50 total wireless devices (Caséta® Wireless dimmers/switches, Pico® remote controls) are supported per system. Smart Bridge™ or Smart Bridge™ Pro counts as one device.

### Environment

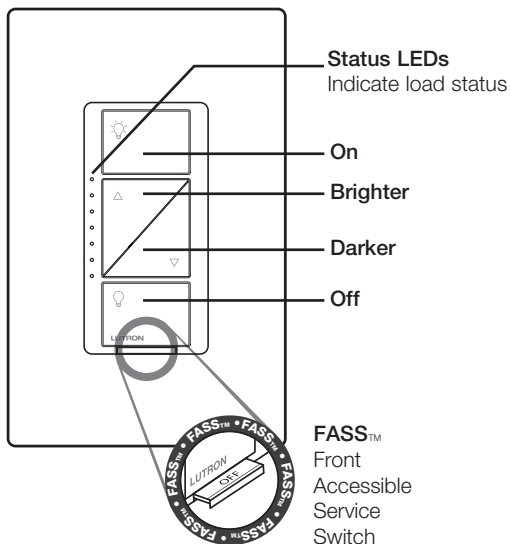
- Ambient operating temperature: 32 °F to 104 °F (0 °C to 40 °C), 0%-90% humidity, non-condensing. Indoor use only.

\* For advanced features, tips on how to use Caséta® Wireless dimmers with LEDs, the complete Caséta® Wireless product line, and more, please visit [www.casetawireless.com/features](http://www.casetawireless.com/features)

Job Name:	Model Numbers:
Job Number:	

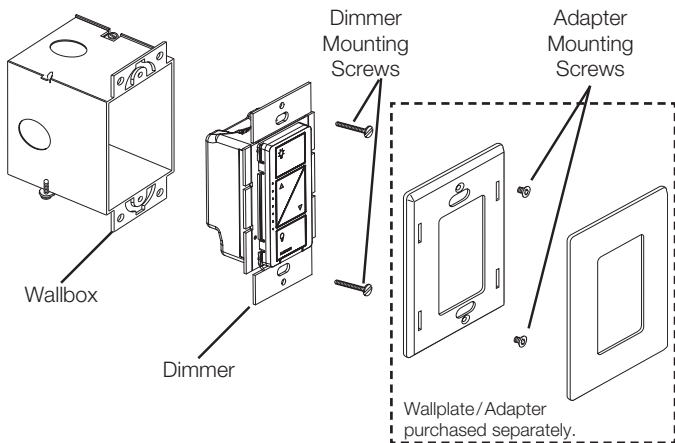
# Operation

In-Wall Dimmer PRO



**IMPORTANT NOTICE:**  
**FASS™** – Front Accessible Service Switch – to service load, remove power by pulling the FASS™ switch out completely on Switch. After servicing load, push the FASS™ switch back in fully to restore power to the control.

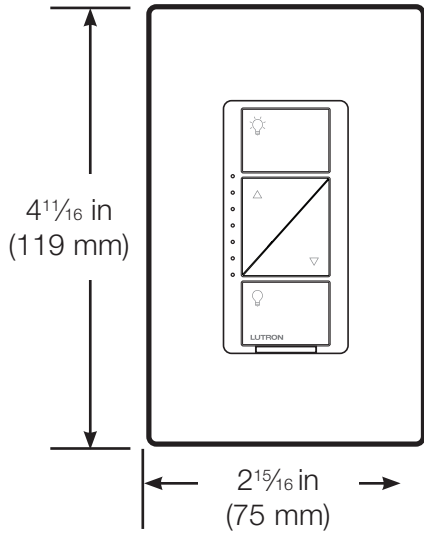
# Mounting



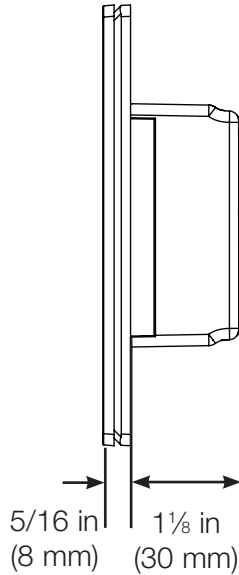
Job Name:	Model Numbers:
Job Number:	

### Dimensions

Front View

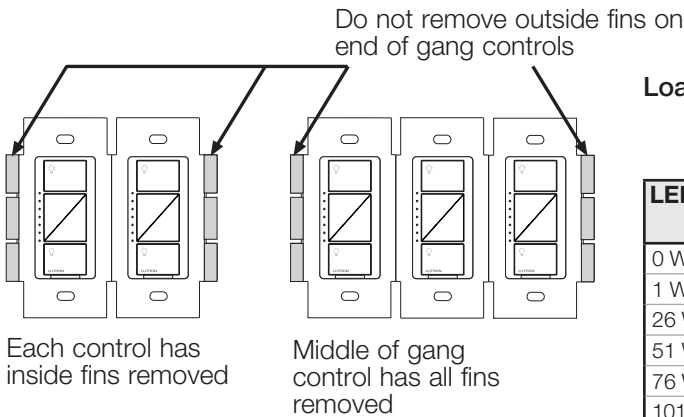


Side View



### Ganging and Derating

When ganging with other controls in the same wallbox, derating is required. See Load Type and Capacity chart.



Load Type and Capacity\*

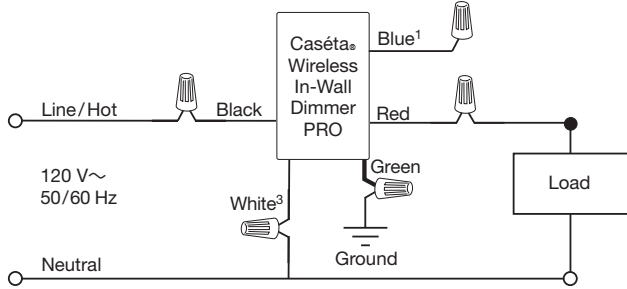
LED Total Wattage	Incandescent / Halogen Total Wattage			
	A	B	C	
	1000 W	800 W	600 W	
0 W	+	1000 W	800 W	600 W
1 W – 25 W	+	900 W	750 W	550 W
26 W – 50 W	+	800 W	700 W	500 W
51 W – 75 W	+	700 W	600 W	450 W
76 W – 100 W	+	600 W	500 W	400 W
101 W – 125 W	+	500 W	400 W	300 W
126 W – 150 W	+	400 W	300 W	200 W
151 W – 175 W	+	300 W	200 W	100 W
176 W – 200 W	+	200 W	100 W	50 W
201 W – 225 W	+	100 W	50 W	0 W
226 W – 250 W	+	0 W	0 W	0 W

- Mixing bulb types (using a combination of LED and incandescent/halogen bulbs) reduces maximum wattage as shown in the chart above.
  - In-Wall Dimmer PRO has a minimum load requirement of 10 W with neutral connected (25 W without neutral) or one bulb from the compatible bulb list.
- \* See [www.casetawireless.com/bulblast](http://www.casetawireless.com/bulblast) for the latest list of compatible bulbs.

Job Name:	Model Numbers:
Job Number:	

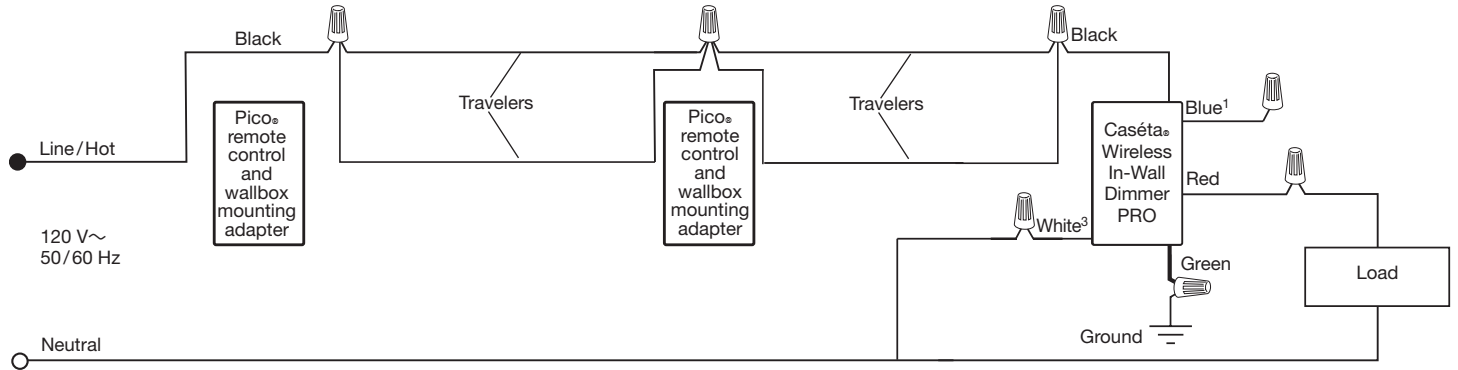
### Wiring Diagrams

#### Single Location Installation



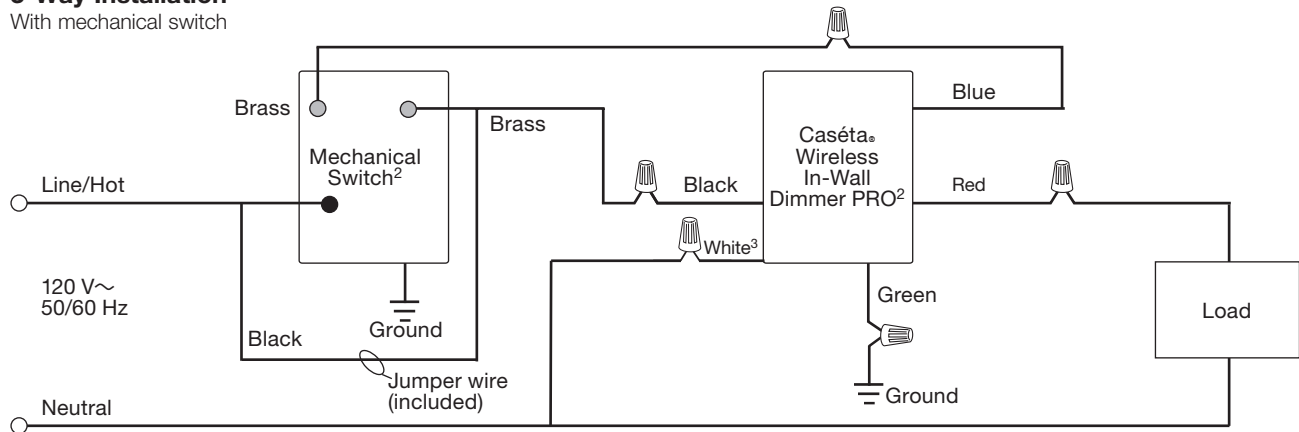
#### Multi-Location Installation

With Pico® remote controls (PJ2-XX-XX) and wallbox mounting adapters (PICO-WBX-ADAPT)



#### 3-Way Installation

With mechanical switch

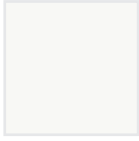


<sup>1</sup> When using controls without mechanical 3-way switch, cap the blue terminal. **Do not** connect the blue wire to any other wiring or to ground.  
<sup>2</sup> Location of Caséta® Wireless In-Wall Dimmer PRO and mechanical switch may be reversed.  
<sup>3</sup> Neutral connection optional except for MLV loads, LED drivers, PHPM-PA, PHPM-3F, GRX-TVI.

Job Name:	Model Numbers:
Job Number:	

## Colors and Finishes

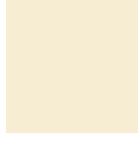
### Gloss Finishes



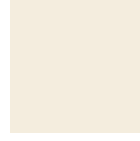
White  
WH



Black  
BL



Ivory  
IV



Light Almond  
LA

Due to printing limitations, colors and finishes shown cannot be guaranteed to perfectly match actual product colors.

Job Name:	Model Numbers:
Job Number:	