



Scan for full manual

KT-208 / KT-208WM Quick Start Guide

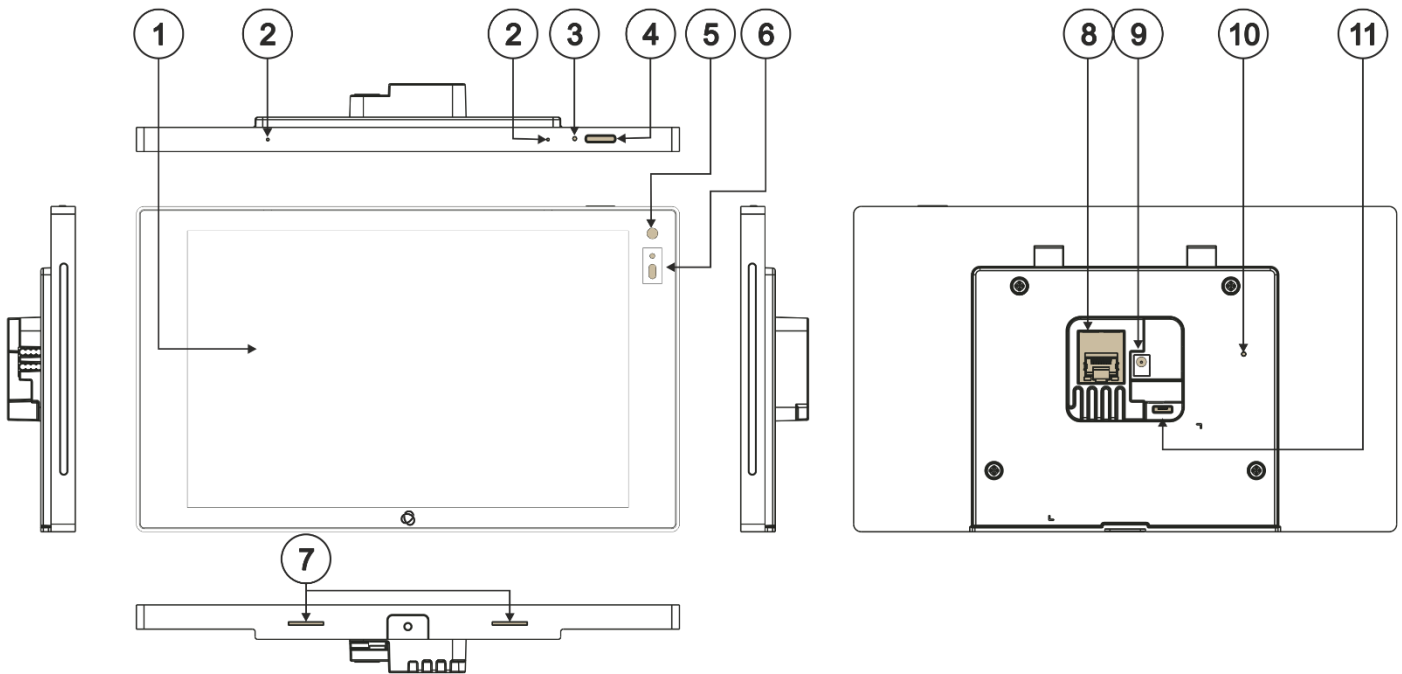
This guide helps you install and use your KT-208 / KT-208WM for the first time.

Go to www.kramerav.com/downloads/KT-208 or www.kramerav.com/downloads/KT-208WM to download the latest user manual and check if firmware upgrades are available.

Step 1: Check what's in the box

KT-208:	✓ 8" Tablet	✓ Table stand	✓ 1 Quick start guide	✓ 2 5/32" screws	✓ 1 M2.5 screw
KT-208WM:	✓ 8" Tablet	✓ Wall mount bracket	✓ 1 Quick start guide	✓ 2 M3.2 screws	✓ 1 M2.5 screw

Step 2: Get to know your KT-208 / KT-208WM



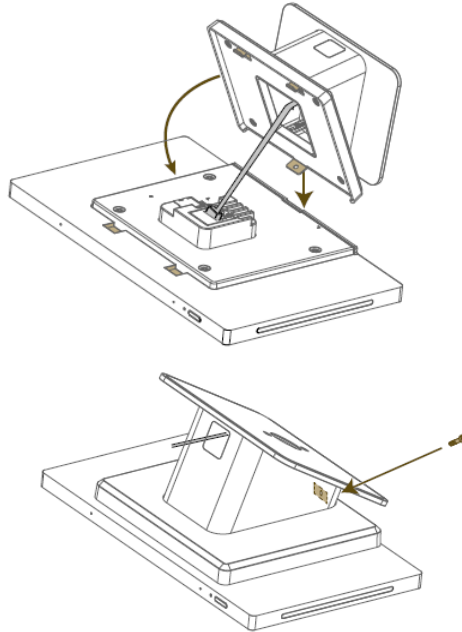
#	Feature	Function
1	Display	Touch panel
2	Microphone	For audio communication, recording or conferencing.
3	Recessed Restart Button	Located on the top-side. Insert a pin and hold for a few seconds to restart.
4	Home Button	Press to wake up / darken the screen.
5	Camera	For remote room viewing or video conferencing.
6	Light Sensor	Automatically adjusts the screen brightness and camera according to the room lighting conditions.
7	Speakers	To output the sound.
8	LAN 1G(PoE) RJ-45 Port	Connect to the LAN for network communication. KT-208 and KT-208WM are powered by PoE (power over ethernet) delivered through the LAN port. Optionally, you can connect the power adapter too (as backup).
9	12V/1A DC Connector	Connect to the power adapter (optional, purchased separately).
10	Restore Factory Reset Button	Insert a pin and hold for 22 seconds to reset the device to factory default values.
11	Micro USB Port	For connecting to an adjacent on-wall USB device and for firmware upgrade.

Step 3: (Option 1) Mount KT-208 on a Table

Simple Mounting (moveable table stand)

1. Run any cables that connect to the **KT-208** through the center of the table stand (for example the Ethernet cable).
2. Connect the cables to the **KT-208**.
3. Lay the **KT-208** face-down and mount the table stand on it.
4. Insert and fasten the M2.5 screw that secures the bottom of the **KT-208** to the table stand.

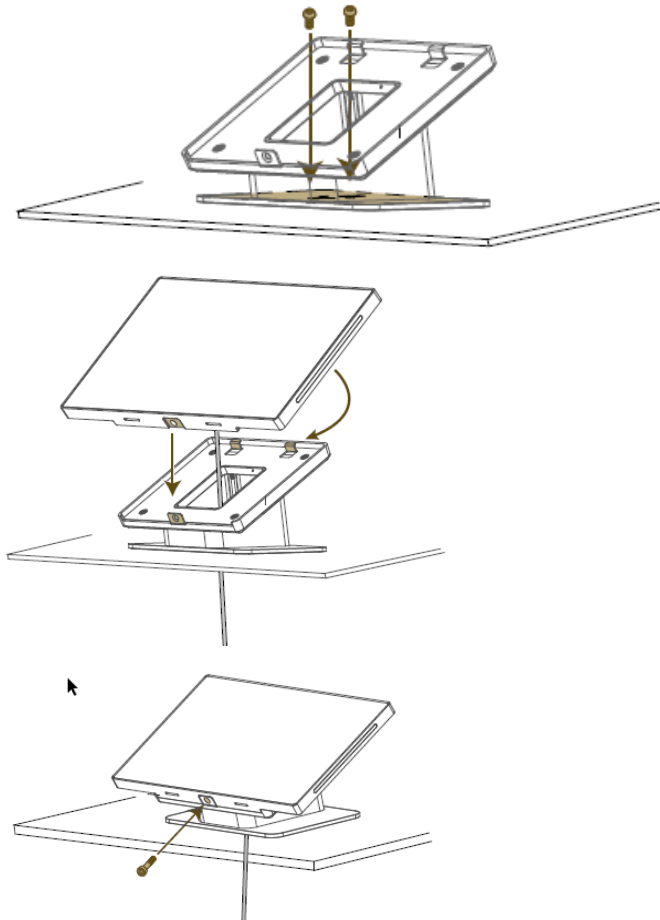
The table stand and tablet are now ready for use.



Secure Mounting (fixed table stand)

1. Secure the stand to the table using the two 5/32" screws.
2. Connect any necessary cables.
3. Mount the **KT-208** on the stand.
4. Secure the **KT-208** to the stand using the provided M2.5 screw.

The table stand and tablet are now ready for use.



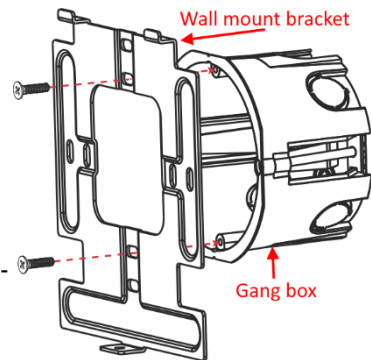
For optimum range and performance use the recommended Kramer cables available at www.kramerav.com/product/KT-208.

Using third-party cables may cause damage!

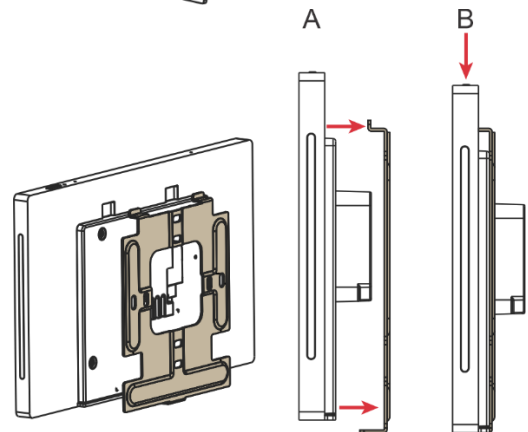
Step 4: (Option 2) Mount KT-208WM on a Wall

To mount the device on a wall:

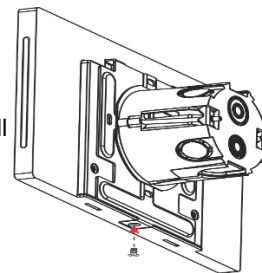
1. Install an in-wall gang box (recommended boxes are listed in the user manual).
2. Attach the wall mount bracket to the installed gang box (top side up: see the indication arrows on the bracket), using the two M3.2 screws provided.
3. Connect Ethernet and/or power cables and optionally, insert the micro-USB cable (supplied) for connecting to an adjacent external USB device.



4. Rest **KT-208WM** on the wall mount bracket, snapping the top holders into place and lining up the mounting screw hole at the bottom.



5. Insert the M2.5 screw below the tablet and secure the tablet to the wall mount bracket.



For optimum range and performance use the recommended Kramer cables available at www.kramerav.com/product/KT-208WM. Using third-party cables may cause damage!

Step 5: Connect to Power

KT-208 and **KT-208WM** are powered by PoE (Power over Ethernet). When accepting power from a PoE provider, there is no need to connect a DC power supply. If you do need an external power adapter, it can be purchased separately.

Connect the device to a LAN switch with PoE: The device starts automatically when power is connected.



- Ensure that the environment (e.g., maximum ambient temperature & air flow) is compatible for the device.
- Avoid uneven mechanical loading.
- Appropriate consideration of equipment nameplate ratings should be used for avoiding overloading of the circuits.
- Reliable earthing of rack-mounted equipment should be maintained.
- Maximum mounting height for the device is 2 meters.

This equipment has been tested and found to comply with the limits for a Class A digital device, pursuant to Part 15 of the FCC Rules. These limits are designed to provide reasonable protection against harmful interference when the equipment is operated in a commercial environment.

This equipment generates, uses, and can radiate radio frequency energy and, if not installed and used in accordance with the instruction manual, may cause harmful interference to radio communications. Operation of this equipment in a residential area is likely to cause harmful interference in which case the user will be required to correct the interference at his/her own expense. Changes or modifications not expressly approved by the manufacturer could void the user's authority to operate the equipment. This device complies with Part 15 of the FCC Rules. Operation of the device is subject to the following conditions:

This device may not cause harmful interference

This device must accept any interference received, including interference that may cause undesired operation

Recommendations for safe exposure to non-ionizing radiation: Only use the device at least 20 centimeters away from your body.

Step 6: Customize KT-208 / KT-208WM settings




KT-208 and **KT-208WM** are designed to operate with **Kramer Control**. Ideally, their operational characteristics should be defined before they are used. For more information see [Kramer Control](#).


- To view the Android navigation icons, swipe a finger upwards from the line at the bottom of the screen and release.
- To change to Apple gesture navigation, from the Home screen, go to **Settings > Advanced settings > System > Gestures** and select **System navigation**.

The following steps are recommended for setting up your Kramer **KT-208 / KT-208WM**:

1. Set the device's time and date:


- a. On the Home screen, press the **Settings** icon  and then select **Date & time**.
- b. In the **Date & time** screen, select **Time zone** and then set the **Region**.

2. Setup the Ethernet or Wi-Fi connection:

- a. On the Home screen, press **Settings**  and select **Network & Internet**.
- b. Select **Wi-Fi** or **Ethernet** and then define the connection. For detailed information, see "Connecting to Wi-Fi or Ethernet" in the [User Manual](#).


3. (optional) Change the time of OS firmware (FW) updates:

By default, the system checks for FW updates at midnight: Updates are automatically downloaded and installed.

- a. To change FW update settings, in the **Settings**  screen select **Firmware update > Remote firmware update**.
- b. Press the time to change the time (take care not to change the URL).
- c. Clear the URL to prevent automatic updates (updates will be manual). If you need to re-enter it, the **Remote firmware update URL** is (case sensitive): <https://cdn.kramerav.com/web/apk/transformer-Kramer-AndroidR.xml>

4. (optional) Change the time of the Kramer Control agent (APK) updates:

By default, the system checks for APK updates at midnight. Updates are automatically downloaded and installed.

- a. To change APK update settings, open the **Settings**  screen and select **Remote APP upgrade URL**.
- b. Press the time to change the time (take care not to change the URL).
- c. Clear the URL to prevent automatic updates (updates will be manual). If you need to re-enter it, the **Remote APP upgrade URL** is (case sensitive): https://cdn.kramerav.com/web/apk/remote_app_update.xml



Note: Factory resets delete the APK, the **Remote APP upgrade URL** is not affected.

5. Setup the Kramer Control agent:

KT-208 / KT-208WM is designed to operate with Kramer Control. There are two ways to setup the link to Kramer Control: from the tablet or from a laptop. For more information see

<https://www.manula.com/manuals/kramer/kramer-control/1/en/topic/new-kramer-tablets>


• Setting the link from the tablet:

- a. In the tablet's Home page, open the Chromium browser  and enter "<Kramer Control's IP>:8000".
- b. Select the desired interface and copy its URL.
- c. In the tablet's Home page, open the Kramer Agent app .
- d. Press "Launch Control Interface" and paste the link, then press OK.

• (alternative method) Setting the link from a Windows laptop connected to the same network:

Open a Chrome browser and enter:

<https://<IP of the tablet>:9804/launchurl?<IP of Kramer Control>:8000/?interface=&immersive=true>

6. To change the tablet's interface language, in the **Settings**  screen, select **Languages & input > Languages**.

Specifications are subject to change without notice at www.kramerav.com