



Page 2-12
Installation Manual
IP Video Door Station
D1101UV



Seite 13-24
Installationsanleitung
IP Video Türstation
D1101UV

DoorBird

D1101UV

VERSION 1.0, MIN. HW 1.0

INSTALLATION MANUAL

Read these instructions carefully before starting to use any components. Keep the manual so you can refer to it at a later date if required. If you hand over the device to other persons for use, please hand over the operating manual as well.

You can always find the most up-to-date version of the installation manual on www.doorbird.com/ support

To make things easier we use the term "device" for the product "IP Video Door Station D11x series" and "mobile device" for a smartphone or tablet.

Liability

Every care has been taken in the preparation of this document. Please inform Bird Home Automation GmbH of any inaccuracies or omissions. Bird Home Automation GmbH cannot be held responsible for any technical or typographical errors and reserves the right to make changes to the product and manuals without prior notice. Bird Home Automation GmbH makes no warranty of any kind with regard to the content of this document, including, but not limited to, the implied warranties of merchantability and fitness for a particular purpose. Bird Home Automation GmbH shall neither be liable nor responsible for incidental or consequential damages in connection with the furnishing, performance or use of this material. This product is only to be used for its intended purpose.

Equipment Modifications

This equipment must be installed and used in strict accordance with the instructions given in the user documentation. This equipment contains no components that require service by the user. Unauthorized equipment changes or modifications will invalidate all applicable regulatory certifications and approvals.

Symbols used



Danger: Indicates a hazardous situation which, if not avoided, will result in death or serious injury.



Warning: Indicates a hazardous situation which, if not avoided, could result in death or serious injury.



Caution: Indicates a hazardous situation which, if not avoided, could result in minor or moderate injury.



Notice: Indicates a situation which, if not avoided, could result in damage to property.



Important: Indicates significant information which is essential for the product to function correctly.



Note: Indicates useful information which helps in getting the most out of the product.

Hazard information



WARNING

- Mounting, installation and servicing work on electrical devices may only be performed by a qualified electrician. Failure to observe this regulation could result in the risk of serious damage to health or fatal injury due to electric shocks.
- Devices with 110-240 V connection: The device may only be connected to an easily accessible power socket outlet. The mains adapter must be pulled out if a hazard occurs.
- For power supply, only use the original plug-in mains adapter delivered with the device or a recommended PoE-Switch/ PoE-Injector as specified in this manual.
- Because of electrostatic charging, direct contact with the circuit board can result in destruction of the device. Direct contact with the circuit board must therefore be avoided at any time.
- Observe the EN 60065 resp. EN 60950 resp. EN 62368 standard.
- Do not use the device if there are signs of damage to the housing, control elements or connecting sockets, for example, or if it demonstrates a malfunction. If you have any doubts, please have the device checked by an authorized expert.
- Do not open the device. This voids the warranty of the device. The device does not contain any parts that can be maintained by the user. In the event of an error, please have the device checked by an authorized expert.
- For safety, approval and licensing reasons (CE/FCC/IC etc.), unauthorized change and/or modification of the device is not permitted.
- The device is not a toy; do not allow children to play with it. Do not leave packaging material lying around. Plastic films/bags, pieces of polystyrene, etc. can be dangerous in the hands of a child.
- Always lay cables in such a way that they do not become a risk to people and domestic animals.



WARNING

- Voltage is applied to parts within the equipment. Do not touch any parts that are not associated with the installation, wiring, or connection. Electric shock could result.
- On devices which are not marked as weather-proof; Keep the device away from water or any other liquid.
- Do not install or make any wire terminations while power supply is plugged in. It can cause electric shock or damage to the device.
- Before turning on power, make sure wires are not crossed or shorted. If not, fire or electric shock could result.
- High voltage may be present internally. Do not open the device. Electric shock could result.
- The device is not of explosion-proof. Do not install or use near gases or flammable materials. Fire or explosion could result.
- Do not install two power supplies in parallel to a single input. Fire or damage to the device could result. Be sure to connect a single power supply to the device.
- Do not connect any terminal on the device to an AC power line. Fire or electric shock could result.
- Keep AC cord from being marred or crushed. If the AC cord is fractured, fire or electric shock could result.
- Do not plug or unplug with wet hands. Electric shock could result.
- Do not put any metal or flammable material into the device. Fire, electric shock, or device trouble could result.
- Existing wiring such as chime wiring, etc. may contain high voltage AC electricity. Damage to the device or electric shock could result. Wiring and installation must be done by a qualified electrician.
- When mounting the device on a wall or ceiling, install the device in a convenient location, but not where it could be jarred or bumped. Injury could result.
- Do not put any metal or flammable material into the device. Fire, electric shock, or device trouble could result.

- Existing wiring such as chime wiring, etc. may contain high voltage AC electricity. Damage to the device or electric shock could result. Wiring and installation must be done by a qualified electrician.
- When mounting the device on a wall or ceiling, install the device in a convenient location, but not where it could be jarred or bumped. Injury could result.
- On devices with ground terminals, connect to an earth ground. Otherwise fire or malfunction could result.
- On devices with plastic or real glass, do not put high pressure on the glass. If fractured, injury could result.
- On devices with LCD, if LCD is punctured, do not allow contact with the liquid crystal inside. Injury could result. If necessary, gargle your mouth and clean your eyes or skin with clear water for at least 15 minutes and consult your doctor.
- Do not put anything on the device or cover the device with cloth, silicone, glue, coating, separate covering etc. Fire or device issues could result.
- Do not install the device in any of the following locations. Fire, electric shock, or device trouble could result.
 - Places under direct sunlight or places near heating equipment that varies in temperature.
 - Places subject to dust, oil, chemicals, hydrogen sulfide (hot spring).
 - Places subject to moisture and humidity extremes, such as bathrooms, cellars, greenhouses, etc.
 - Places where the temperature is very low, such as inside a refrigerated area or in front of an air conditioner.
 - Places subject to steam or smoke (e.g. near heating or cooking surfaces).
 - Where noise generating devices such as dimmer switches or inverter electrical appliances are closeby.
 - Locations subject to frequent vibration or impact.
- On devices with intercom, be sure to perform a call test with low audio volume on both intercom devices. A sudden call etc. may arrive causing for example damage to your ear.
- If the device does not operate properly, unplug the power supply.



WARNING

- All devices which are not marked as weather-proof are designed for indoor use only. Do not use outdoor.
- On devices which are marked weather-proof: Do not spray with high-pressure water. Device issues could result.
- We do not assume any liability for damage to property or personal injury caused by improper use or the failure to observe the hazard information. In such cases, any claim under warranty ceases. For consequential damages, we assume no liability!

Safety instructions



- The device shall be used in compliance with local laws and regulations.
- Store the device in a dry and ventilated environment.
- Avoid exposing the device to shocks or heavy pressure.
- Do not install the device on unstable brackets, surfaces or walls. Make sure the material is strong enough to support the weight of the device.
- Use only applicable tools when installing the device. Using excessive force with tools could cause damage to the device.
- Do not use chemicals, caustic agents, or aerosol cleaners.
- Use a clean dry cloth for cleaning.
- Use only accessories that comply with technical specification of the device. These can be provided by Bird Home Automation GmbH.
- Use only spare parts provided by or recommended by Bird Home Automation GmbH.
- Do not attempt to repair the device by yourself. Contact Bird Home Automation GmbH for service matters.
- Keep the device more than 1 m (3.3') away from microwave, radio, TV, wireless router and any other wireless devices.
- On devices with intercom or built-in speaker or built-in microphone or signal transmission functions, keep the wires more than 30 cm (12") away from AC 100-240 V wiring. AC induced noise and/or device malfunction could result.

- Install the device in an area that will be accessible for future inspections, repairs and maintenance.
- If the device is used close to a cellular phone, the device may malfunction.
- The device can be damaged if dropped. Handle with care.
- The device turns inoperative during power failure.
- On devices with intercom or built-in speaker or built-in microphone, in areas where cellular or Radio / TV broadcasting station antennas are closeby, the device may be affected by radio frequency interference.
- On devices with LCD screen, it must be noted in advance that the LCD panel, though manufactured with very high precision techniques, inevitably will have a very small portion of its picture elements always lit or not lit at all. This is not considered a device malfunction.
- On devices with intercom, due to the environmental sound around the device, it may hinder smooth communication, but this is not a malfunction.
- On devices with Username/Password, the Username/Password to access the device is the customer's responsibility. Make sure to use password that cannot be easily guessed by a third party. We recommend that you change the Password on a regular basis.
- We will, under no circumstances, be liable for damage that occurs due to failures in power supply, network equipment or terminal devices; failures due to Internet providers and cellular network providers; failures such as disconnected lines and other losses in communication, which makes it impossible to provide this service as well as in any way delay this service due to any other causes outside of our responsibility; or if an error or missing data occurs during transmission.

Transportation

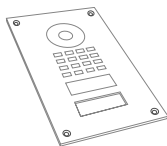


- When transporting the device, use the original packaging or equivalent to prevent damage to the device.

Warranty Information

For information about the device warranty, see www.doorbird.com/warranty

COMPONENTS*



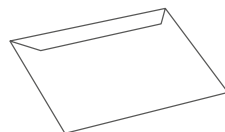
1x Main Electrical Unit with call button and front panel



1x Installation manual



1x Quickstart guide with Digital Passport



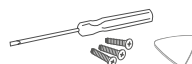
1x Waterproof A4 laser printer paper for labelling name plates



1x Power supply unit (mains adaptor) with four country-specific adaptors



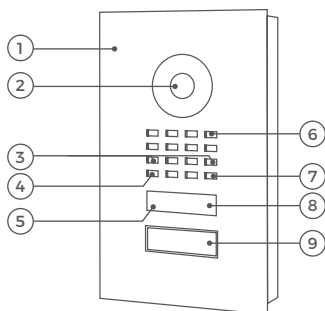
1x Screw connection terminal plug



Small parts

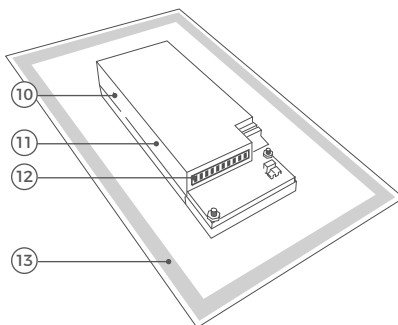
DEVICE

Front



- 1) Front panel
- 2) HDTV Video
- 3) Security screws
- 4) Light Sensor
For night-vision mode
- 5) Bluetooth transceiver
- 6) Speaker
- 7) Microphone
- 8) 4D Motion sensor
- 9) Illuminated call button with nameplate

Inside



- 10) Diagnostic-LED
Lights up a few seconds after connecting the device to power
- 11) Main Electrical Unit
- 12) Screw connection terminal
- 13) Gasket

VIDEOS

Need help with the installation? Be sure to watch our installation videos which can be found on <http://www.doorbird.com/support>

Each individual step of the installation is clearly documented in the videos.

INSTALLATION

All the steps below should be carried out carefully by a competent adult, taking into consideration any applicable safety regulations. Please contact us directly or seek the advice of a competent specialist.



Please ensure that all wires used for the installation are undamaged along their entire length and approved for this type of use.

Network speed and network components

Please ensure that the upload speed of your Internet connection is at least 0.5 Mbps. The user experience is only as good as your network speed, network stability and quality of your network components, such as your Internet Router and WiFi access points or WiFi repeaters. Please also make sure that your network components are no older than two years old, have been manufactured by a well-known manufacturer, and have the latest firmware installed.

Should these requirements not be fulfilled, it may occur, for example that the performance of audio and video is poor or push notifications are delayed or do not arrive on your smartphone or tablet at all.

Requirements:

High-speed Internet (via landline): DSL, cable or optical fibre

Network: Ethernet, with DHCP

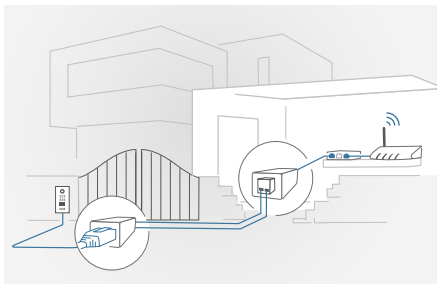
NOTES ON NETWORK CONNECTION

You can connect the device to the network using a network cable. The connection via WiFi is not possible!

Install a network cable (which is plugged into a network switch / router with Internet access) from the inside of your building to the assembly location. The network cable between the assembly location and the network switch / router can have a maximum length of 80 m/262 ft (IEEE 802.3). If you must span a distance of more than 80 meters/262 feet you can put a network switch in between.



If you have only two wires available at the assembly location, you may use the "DoorBird 2-Wire Ethernet PoE Converter A1071", sold separately. It allows you to transfer network data (Ethernet) and power (PoE) with a simple two-wire cable over long distances. For example, existing buildings with a simple two-wire bell wire can be equipped with network technology without having to retrofit any network cables.



1

SWITCHING OFF POWER

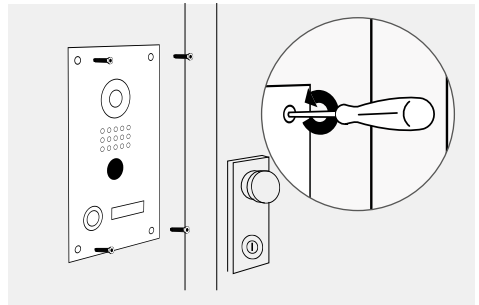


Switch off the power to all wires leading to the assembly location, i.e. the door chime, electric door opener, power supply unit for the video door station etc.

2

REMOVAL OF THE EXISTING FRONT PANEL

Turn the safety screws counterclockwise until they loosen.



Disconnect all cables from the main unit of your D202 or D201. Carefully remove the D201/D202 front panel with the main unit from the mounting housing.

3

CONNECTING THE DEVICE

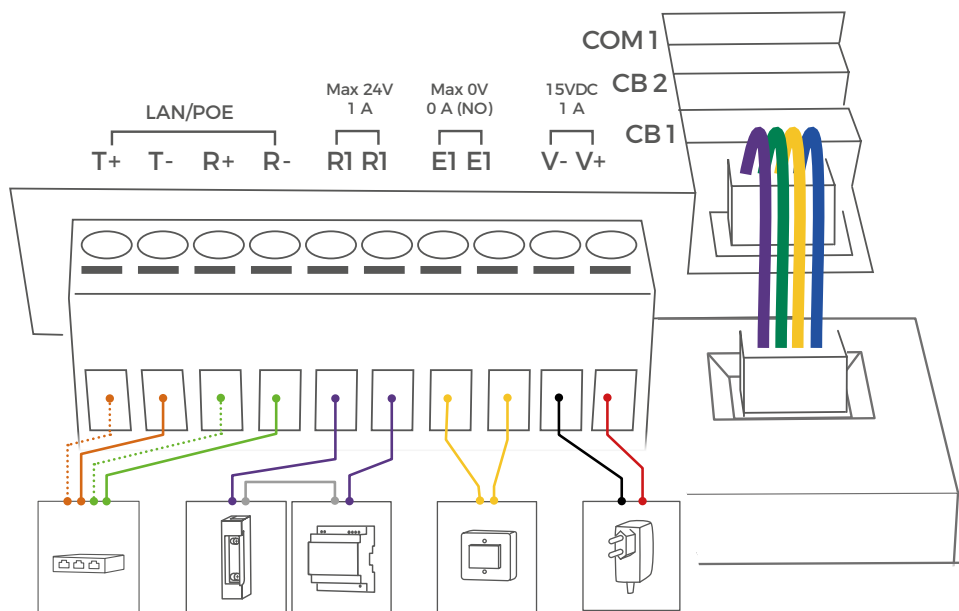
You can connect all necessary cables and wires to the device now.



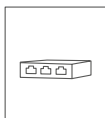
For easier installation we strongly recommend to remove the plug from screw connection terminal while you connect the cables and wires.



Please remove any cables and wires from the connection ports of the device that you do not need.

**Port****Description**

LAN/POE



The device cannot be connected to the network via WiFi. Please refer to the section „Notes on Network Connection“ prior to step 1.

Use only four wires (1, 2, 3 and 6) of a standard Network cable Cat.5 or better, coming from the Internet Router/PoE-Switch/PoE-Injector.

Cat.5 / Cat.6 Network cable

T+ White and orange network cable wire (Number 1, Transmit Data +)



T- Orange network cable wire (Number 2, Transmit Data -)



R+ White and green network cable wire (Number 3, Receive Data +)



R- Green network cable wire (Number 6, Receive Data -)

Cat.7 Network cable (Installation cable)

T+ White network cable wire from pair "orange/white" (Number 1, Transmit Data +)



T- Orange network cable wire from pair "orange/white" (Number 2, Transmit Data -)



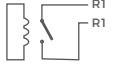
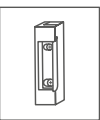


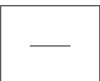

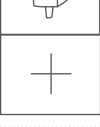
R+ White network cable wire from pair "green/white" (Number 3, Receive Data +)



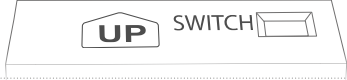
R- Green network cable wire from pair "green/white" (Number 6, Receive Data -)



NOTICE Do not power the device simultaneously via the power supply from the power supply unit (mains adaptor) and the power supply via PoE.

| | | |
|--|---|---|
|  <p>R1, R1</p> |  | <p>Bi-stable latching relay #1, max. 24 V DC/AC, 1 A. Security feature: The relay keeps its state even in the case of loss of power. You can configure the default state of the relay (open/close) via the DoorBird App. These ports can be used to connect e.g. an electric door opener. The device does not supply power to the connected device. The power supply for the electric door opener must be installed separately.</p> <p> When wiring an electric door opener directly to a door station, there is a risk that the electric door opener could be tampered by unauthorized third parties (e. g. by breaking the door station and short-circuiting the wiring of the door opener). Therefore, we generally recommend the use of a remote safety relay mounted indoors (e. g. DoorBird I/O Door Controller A1081) for wiring an electric door opener for a more secure installation in your home.</p> |
| <p>E1, E1</p> |  | <p>Digital input (0 V, 0 A (NO)), for door opener button, max. 0 V DC/AC, 0 A. These ports can be used to connect e.g. a door opener button inside the home. It will can trigger the bi-stable latching relay of the device (R1, R1)</p> <p>NOTICE Please make sure to add no voltage on these ports. Extra voltage may destroy the device immediately.</p> |
| <p>15 VDC -</p> |  | <p>15 V DC Power supply input, negative pole (-). Please connect the black wire of the power supply unit (mains adaptor) supplied with this device if you do not power the device using PoE.</p> |
| <p>15 VDC +</p> |  | <p>NOTICE Do not power the device simultaneously via the power supply from the power supply unit (mains adaptor) and the power supply via PoE.</p> |
| <p>15 VDC +</p> |  | <p>15 V DC Power supply input, positive pole (+). Please connect the red wire of the power supply unit (mains adaptor) supplied with the device here, if you do not power the device using PoE.</p> <p>NOTICE Do not power the device simultaneously via the power supply from the power supply unit (mains adaptor) and the power supply via PoE.</p> |
| <p>COM 1</p> | | <p>Jack for authorized peripherals of Bird Home Automation which will be released in the future, e.g. keypad</p> |
| <p>CB 2</p> | | <p>Jack for second call button.</p> |
| <p>CB 1</p> | | <p>Jack for first call button.</p> |

NOTICE The jacks "CB1", "CB2" and "COM1" on the rear side of the Main Electrical Unit must only be used to connect components certified by Bird Home Automation.

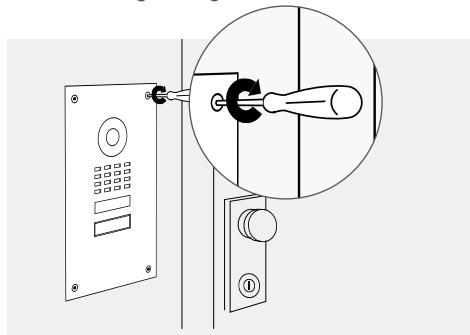
CALL BUTTON PORT —  —

| | |
|---------------------------|---|
| <p>SWITCH (4 PIN)</p> | <p>Use the four wire call-button cable provided to connect the call-button to the Main Electrical Unit (already connected in delivery condition to the jack "CB1").</p> |
|---------------------------|---|

NOTICE Please take care when connecting the cables and wires. Connecting the cables and wires the wrong way may damage the device. Wires without insulation material must not protrude out of the green screw connection terminal, it may lead to electrical short and damage the device.

8 ASSEMBLE THE DEVICE TO THE MOUNTING HOUSING (BACKBOX)

Assemble the front panel with the attached Main Electrical Unit carefully using the screwdriver provided to the mounting housing.



Turn the safety screws clockwise until they are firmly tightened.

9 ACTIVATE THE DEVICE

If the device is to be supplied with power by a mains adapter, plug the power adapter of the device into a wall socket. If the device is to be powered via PoE, switch on the PoE-Switch/ PoE-Injector which is connected to the device. If the device is to be powered via DIN-rail power supply, switch on the DIN-rail power supply.

The Diagnostic-LED indicates whether the device is supplied with power. This LED lights up in green color a few seconds after you have connected the device to the power supply. The device is now ready for operation.

If the Diagnostic LED does not light up, please check the power supply. When using a wall-plug power supply and not PoE please check whether you have connected the positive pole and negative pole to the device correctly.

The device is ready for operation (booting up process, any software updates, etc.) once it has emitted a short diagnosis sound from the integrated loudspeaker. This may last for up to 5 minutes.

10 DOWNLOADING AND INSTALLING THE APP

Download the "DoorBird" App by Bird Home Automation onto your mobile device from the Apple App Store or Google Play Store. You can always find the most up-to-date version of the App manual on www.doorbird.com/support

If you use WiFi for connecting the device to your Internet Router, first go to the DoorBird App > "WiFi Setup" and follow the instructions.

If you have finished the WiFi setup or have connected the device to your Internet Router by means of a network cable, go to the DoorBird App > "Add device" and click on the QR code icon in the "User" field. Scan the user QR code found on the "Digital Passport" provided with the device.

If you have problems adding the device to the App please check if the device is online (www.doorbird.com/checkonline). If the device is not online, please check the WiFi or network cable connection again.

DIAGNOSTIC-LED

You can see if the device is powered by checking the Diagnostic LEDs, which lights up a few seconds after the power is connected.

The Diagnostic-LED is designed to illuminate only slightly.

DIAGNOSTIC-SOUNDS

After around one minute, the device emits brief diagnostic sounds after it has been connected to power supply / network / internet.

LENS

The product uses a straightened Wide-Eye hemispheric lens (HD). Due to the wide angle of coverage (horizontal, vertical, diagonal), a small edge may appear in the corners of the image as well as reflections in the image from the surface of the front of the unit.

MOTION SENSOR

The device has a built-in Motion Sensor with 4D Technology. You can use it for numerous applications, e. g. to send an alarm to a mobile device or to switch a relay to turn on an outdoor light.

The adjustable distance is optimized for a 1.75m (69 in) tall 70kg (165 lbs) person in a free environment. The accuracy of the distance of the motion sensor can vary depending on the environment.

BLUETOOTH TRANSCEIVER

The device has a built-in Bluetooth® transceiver. We will add further functionality for interesting applications soon. Please check our company news blog or the latest version of this manual at www.doorbird.com/support for updates.

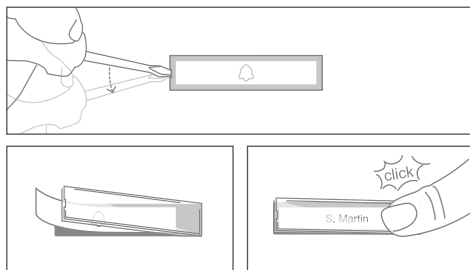
API

The device features a well documented API for third-party integration. For information, terms and conditions see www.doorbird.com/api

DOORBIRD CONNECT

The device features many options to integrate it into third-party applications. For information, terms and conditions see www.doorbird.com/connect

CHANGING THE LABEL OF A CALL BUTTON NAMEPLATE



MAINTENANCE OF THE FRONT PANEL

Cleaning and maintenance instructions

All of our front panels are made of high-quality materials and are designed for a durable lifetime. Since door stations are usually installed in unprotected outdoor areas, they are exposed to adverse weather conditions and aggressive substances, especially close to frequently used roads, in coastal and industrial areas. Therefore, please consider the following care instructions. Unfortunately, we cannot accept any liability for damage if these instructions are not being observed. Aggressive dirt such as bird droppings should be removed as quickly as possible.



Never use abrasive detergents such as steel wool or scouring milk! Never use abrasive detergents such as steel wool or scouring milk!

Warm water is usually sufficient, if necessary with a little detergent, a soft cloth or brush. Plastic parts (camera or name tags) must not be treated with metal care products. Remove all residues of cleaning agents or lubricants to avoid stains or discolouration after the maintenance.

Stainless Steel

Only high-quality stainless steel is used for all available DoorBird door stations. However, high-quality stainless steel can also rust, as approx. 70% of stainless steel is made of iron. Rust resistance is only achieved by a protective layer (also called passive layer), which covers the iron like a skin. This protective layer consists essentially of chromium and other precious metals.

Iron particles, grinding dust and chips deposited on stainless steel can lead to corrosion (rust film). These iron particles can be found everywhere, but especially in coastal and industrial areas and close to frequently used roads. Please remove ferrous deposits immediately, as they will attack your door station and lead to real rust if not removed. To remove rust, simply wipe off the dust; in addition, a care product is recommended, e.g. WD 40, available e.g. at Amazon for less than € 5.00. Simply apply in a thin layer and rub in. The same applies if rust appears on the engravings on the stainless steel surface.

Cement or lime splashes should be carefully removed as soon as possible with a wooden spatula before hardening.

The following cleaning detergents are not to be used as they reduce corrosion resistance:

- products containing chloride and hydrochloric acid
- Bleach (in case of accidental use, rinse thoroughly with water)
- Silver polish

After the cleaning with clear water wipe with damp cloth and rub dry to avoid lime traces. Lime residues can be avoided by using demineralised water.

Stainless steel PVD coated

PVD coated, chrome-plated or gold-plated surfaces are recommended to be cleaned with a grease-dissolving detergent and clear water or with a clean and dust-free microfibre cloth. For high-gloss surfaces, use a scratch-free cloth (e.g. cleaning cloth for glasses, furniture polishing cloth, etc.).

Lacquered surfaces

Clean painted surfaces and lettering with a soft, scratch-free cloth moistened with a mild soap solution (e.g. cleaning cloth for glasses, furniture polishing cloth, etc.). To prevent stains or discolouration, the detergents should be wiped off without leaving any residue. Be particularly careful with lettering in order not to damage the film or the print.



TROUBLESHOOTING

The device does not power up

If the device is to be supplied with power by a mains adapter, plug the power adapter of the device into a wall socket. If the power adapter was already plugged into a wall socket, check if the cables and wires are correctly connected to the screw connection terminal. In most cases, removing the cable and wires from the screw connection terminal plug and reconnecting them to the screw connection terminal plug helps (loose contact). If you are powering more than one device simultaneously with one mains adapter, check if the mains adapter is able to deliver enough power over the full cable length.

If the device is to be powered via PoE, switch on the PoE-Switch/ PoE-Injector which is connected to the device. If the PoE-Switch/ PoE-Injector was already switched on, check if the cables and wires are correctly connected screw connection terminal. In most cases, removing the cable and wires from the screw connection terminal plug and reconnecting them to the screw connection terminal plug helps (loose contact). If the problem still exists, please check if your PoE-Switch / PoE Injector supports the PoE Standard IEEE 802.3af Mode A, see also www.doorbird.com/poe

If the device is to be supplied with power by a DIN-rail power supply, switch on the DIN-rail power supply. If the DIN-rail power supply was already switched on, check if the cables and wires are correctly connected to the screw connection terminal. In most cases, removing the cable and wires from the screw connection terminal plug and reconnecting them to the screw connection terminal plug helps (loose contact). If you are powering more than one device simultaneously with one DIN-rail power supply, check if the DIN-rail power supply is able to deliver enough power over the full cable length.

The device does not connect to network via network cable (“No Network” diagnosis sound)

In most cases, removing the cable and wires from the screw connection terminal plug and reconnecting them to the screw connection terminal plug helps (loose contact). If the problem still exists, please check if the network cable is properly connected to your router / switch and the network cable is not broken.

If the problem still exists, please check if your Router has DHCP turned on and is able to assign an IP address to the device.

The device does not connect to Internet (“No Internet” diagnosis sound)

In most cases, your Internet is down or your router blocks Internet access for the device. Please see www.doorbird.com/downloads/ports.pdf

If the problem still exists, please check if your Router has DHCP turned on and is able to assign an IP address to the device.

The device does not connect to Internet

In most cases, your Internet is down or your router blocks Internet access for the device. Please see www.doorbird.com/downloads/ports.pdf

LEGAL NOTES

General remarks

1. DoorBird is a registered trademark of Bird Home Automation GmbH.
2. Apple, the Apple logo, Mac, Mac OS, Macintosh, iPad, Multi-Touch, iOS, iPhone and iPod touch are trademarks of Apple Inc.
3. Google, Android and Google Play are trademarks of Google, Inc.
4. The Bluetooth® word mark and logos are registered trademarks of Bluetooth SIG, Inc.
5. All other company and product names may be trademarks of the respective companies with which they are associated.
6. We reserve the right to make changes to our products in the interests of technical advancement. The products shown may also look different from the products supplied based on ongoing enhancement.
7. Reproducing or using texts, illustrations and photos from this instruction manual in any media – even if only in the form of excerpts – shall only be permitted with our express written consent.
8. The design of this manual is subject to copyright protection. We do not accept any liability for any errors or any erroneous content or printing errors (even in the case of technical specifications or within graphics and technical sketches).
9. Our products are in compliance with all technical guidelines, electrical and telecommunications regulations applicable in Germany, the EU and the USA.

Data privacy and data security

1. For maximum security, the device uses the same encryption technologies as are used in online banking. For your security, no port forwarding or DynDNS is used either.
2. The data centre location for remote access over the Internet by means of an App is obligatory in the EU if the determined Internet IP-Address location of the device is within the EU. The data centre is operated in line with the most stringent security standards.
3. Video, audio and any other surveillance methods can be regulated by laws that vary from country to country. Check the laws in your local region before installing and using this device for surveillance purposes.

If the device is a door-, indoor station or camera:

- In many countries video and voice signal may only be transmitted once a visitor has rung the bell (data privacy, configurable in the App).
- Please carry out the mounting in such a way that the detection range of the camera limits the device exclusively to the immediate entrance area.
- The device may come with a visitor history and motion sensor. You can activate/deactivate this function if required.

If necessary, indicate the presence of the device in a suitable place and in a suitable form.

Please observe any relevant country-specific statutory regulations concerning the use of surveillance components and surveillance cameras applicable at the installation site.

Check with the property owner and your house community if you are allowed to install and use this product. Bird Home Automation GmbH cannot be held responsible for any miss-use or miss-configuration of this product, including the unauthorized opening of a door.

Bird Home Automation cannot be held responsible for damages caused by improper existing installations or improper installation.

Software and operating system's updates (so-called "firmware updates") are generally automatically installed on the products of Bird Home Automation GmbH via Internet, if technically possible. Automatic firmware updates keep the products' software up to date so that they always work reliably, safely and efficiently. Through further development, features can be added, extended or slightly changed. Major changes or limitations to existing features will generally occur if Bird Home Automation GmbH deems it necessary (e.g. for data protection, data security or stability reasons, or to keep them up to date). When a firmware update is available, Bird Home Automation GmbH's servers generally automatically distribute it to all compatible products connected to the Internet or Bird Home Automation GmbH's servers. This process is gradual and can take several weeks. As soon as a product receives a firmware update, the

system will be installed and will restart by itself. Installed firmware updates cannot be undone. Since the products and software of Bird Home Automation GmbH are not explicitly customer-specific products, a customer cannot deny an automatic update if the product is connected to the Internet or to the Bird Home Automation GmbH's server.

Instructions for disposal

Do not dispose of the device with regular domestic waste. Electronic equipment must be disposed e.g. at local collection points for waste electronic equipment in compliance with the Waste Electrical and Electronic Equipment Directive.

Publisher

Bird Home Automation GmbH
Umlandstraße 165
10719 Berlin
Germany

Web: www.doorbird.com
Email: hello@doorbird.com

INSTALLATIONSANLEITUNG

Lesen Sie diese Anleitung sorgfältig, bevor Sie die Komponenten in Betrieb nehmen. Bewahren Sie die Anleitung zum späteren Nachschlagen auf!

Wenn Sie das Gerät anderen Personen zur Nutzung überlassen, übergeben Sie auch diese Bedienungsanleitung.

Die stets aktuelle Version der Installationsanleitung finden Sie unter www.doorbird.com/de/support

Zur Vereinfachung der Begriffe verwenden wir „Gerät“ für das Produkt „IP Video Türstation D11x“ sowie „mobiles Endgerät“ für ein Smartphone/Tablet.

Haftung

Die Erstellung dieses Dokuments wurde sorgfältig vorbereitet. Bitte informieren Sie Bird Home Automation GmbH über etwaige Ungenauigkeiten oder Unterlassungen. Bird Home Automation GmbH kann nicht für technische oder typografische Fehler verantwortlich gemacht werden und behält sich das Recht vor, Änderungen an dem Produkt und den Handbüchern ohne vorherige Ankündigung vorzunehmen. Bird Home Automation GmbH übernimmt keinerlei Garantie in Bezug auf das in diesem Dokument enthaltene Material, einschließlich, aber nicht beschränkt auf die implizierten Garantien der Marktgängigkeit und Eignung für einen bestimmten Zweck. Bird Home Automation GmbH haftet nicht für Neben- oder Folgeschäden im Zusammenhang mit der Bereitstellung, Durchführung oder Verwendung dieses Materials. Das Gerät darf nur für den vorgesehenen Zweck verwendet werden.

Gerätemodifikationen

Dieses Gerät muss in Übereinstimmung mit den Anweisungen in der Installationsanleitung installiert und verwendet werden. Dieses Gerät enthält keine vom Benutzer zu wartenden Komponenten. Durch unbefugte Gerätemodifikationen oder Änderungen erlöschen alle anwendbaren Zertifizierungen und Zulassungen.

Verwendete Symbole



Achtung: Weist auf eine gefährliche Situation hin, die, falls nicht verhindert, zum Tod oder schweren Verletzungen führt.



Warnung: Weist auf eine gefährliche Situation hin, welche, falls nicht verhindert, zum Tod oder schweren Verletzungen führen kann.



Vorsicht: Weist auf eine gefährliche Situation hin, welche, falls nicht verhindert, zu geringfügiger oder mäßiger Verletzung führen kann.



Bitte beachten: Weist auf eine gefährliche Situation hin, welche, falls nicht verhindert, zu Sachschäden führen kann.



Wichtig: Weist auf wichtige Informationen hin, die den richtigen Betrieb des Produkts gewährleisten.



Hinweis: Weist auf nützliche Informationen hin, die die optimale Verwendung des Geräts unterstützen.

Gefahrenhinweise



WARNUNG

- Einbau, Montage und Servicearbeiten elektrischer Geräte dürfen ausschließlich durch eine Elektrofachkraft erfolgen. Bei Nichtbeachten besteht die Gefahr schwerer gesundheitlicher Schäden oder Lebensgefahr durch elektrische Stromschläge.
- Geräte mit 110-240 V Anschluss: Das Gerät darf nur an eine leicht zugängliche Netz-Steckdose angeschlossen werden. Bei Gefahr ist der Netzstecker zu ziehen.
- Benutzen Sie für die Stromversorgung des Gerätes ausschließlich das mitgelieferte Originalnetzteil oder einen in dieser Anleitung empfohlenen PoE-Switch/PoE-Injektor (sofern das Gerät PoE unterstützt).
- Durch elektrostatische Aufladung kann bei direktem Kontakt mit der Leiterplatte das Gerät zerstört werden. Vermeiden Sie daher ein direktes Berühren der Leiterplatte zu jeder Zeit.
- Norm EN 60065 bzw. EN 60950 bzw. EN 62368 beachten.
- Verwenden Sie das Gerät nicht, wenn es von außen erkennbare Schäden z. B. am Gehäuse, an Bedienelementen oder an den Anschlussbuchsen bzw. eine Funktionsstörung aufweist. Im Zweifelsfall lassen Sie das Gerät von einer autorisierten Fachkraft prüfen.
- Öffnen Sie das Gerät nicht. In solchen Fällen erlischt jeder Gewährleistungsanspruch! Für Folgeschäden übernehmen wir keine Haftung! Das Gerät enthält keine durch den Anwender zu wartenden Teile. Im Fehlerfall lassen Sie das Gerät von einer autorisierten Fachkraft prüfen.
- Aus Sicherheits-, Zulassungs- und Lizenzgründen (CE/FCC/IC etc.) ist das eigenmächtige Umbauen und/oder Verändern des Gerätes nicht gestattet.



WARNUNG

- Das Gerät ist kein Spielzeug! Erlauben Sie Kindern nicht damit zu spielen. Lassen Sie das Verpackungsmaterial nicht achtlos liegen. Plastikfolien/-tüten, Styroporteile etc. können für Kinder zu einem gefährlichen Spielzeug werden.
- Verlegen Sie Kabel stets so, dass diese keine Gefährdungen für Menschen und Haustiere darstellen.
- An Teilen im Gerät liegt Spannung an. Berühren Sie keine Teile, die nicht mit der Installation, der Verdrahtung oder dem Anschluss verbunden sind. Elektrische Stromschläge können die Folge sein.
- Halten Sie die Geräte von Wasser oder anderen Flüssigkeiten fern, die nicht als wetterfest gekennzeichnet sind.
- Führen Sie keine Installation durch und stellen Sie keine Verbindungen her, während die Stromversorgung eingeschaltet ist. Beschädigungen am Gerät oder elektrische Stromschläge können die Folge sein.
- Bevor Sie die Stromversorgung einschalten, stellen Sie sicher, dass die Drähte nicht gekreuzt oder kurzgeschlossen sind. Feuer oder elektrische Stromschläge können die Folge sein.
- Hochspannung kann intern vorhanden sein. Öffnen Sie das Gerät nicht. Elektrische Stromschläge können die Folge sein.
- Das Gerät ist nicht explosionsgeschützt. Nicht in der Nähe von Gasen oder brennbaren Materialien installieren oder verwenden. Feuer oder Explosion können entstehen.
- Installieren Sie nicht zwei Stromversorgungen parallel zu einem einzigen Eingang. Feuer oder Beschädigung des Gerätes können entstehen. Achten Sie darauf, nur ein einziges Netzteil an das Gerät anzuschließen.
- Schließen Sie keinen Anschluss am Gerät an eine Netzstromleitung an. Feuer oder elektrische Stromschläge können die Folge sein.
- Stellen Sie sicher, dass das Netzkabel nicht beschädigt oder gequetscht ist. Wenn das Netzkabel gebrochen ist, kann es zu einem Brand oder elektrischen Stromschlag kommen.
- Nichts mit nassen Händen anstecken oder abziehen. Elektrische Stromschläge können die Folge sein.

- Führen Sie kein Metall oder brennbares Material in das Gerät. Feuer, elektrische Stromschläge oder Gerätestörungen können die Folge sein.
- Bestehende Verdrahtungen wie Türgongverdrahtung usw. können Hochspannungs-Wechselstrom enthalten. Schäden am Gerät oder elektrische Stromschläge können auftreten. Die Verdrahtung und Installation muss von einem qualifizierten Elektriker durchgeführt werden.
- Gerätemontage an Wand oder Decke: Vermeiden Sie Installationsorte, an denen das Gerät Erschütterungen oder Stößen ausgesetzt ist.
- Bei Geräten mit Erdungsklemmen muss eine Erdung angeschlossen werden. Feuer oder Gerätestörungen können die Folge sein.
- Bei Geräten mit Kunststoffglas oder Echtglas, keinen hohen Druck auf das Glas ausüben. Bei Bruch kann es zu Verletzungen kommen.
- Bei Geräten mit LCD, wenn LCD beschädigt ist, nicht mit dem Flüssigkristall in Kontakt kommen. Verletzungen können die Folge sein. Wenn nötig, spülen Sie den Mund aus, reinigen Sie Ihre Augen oder Haut mit klarem Wasser für mindestens 15 Minuten und wenden Sie sich an Ihren Arzt.
- Bringen Sie nichts auf dem Gerät an und verdecken Sie das Gerät nicht mit einem Tuch, Silikon, Klebstoff, Farbe, separater Abdeckung etc. Es können Feuer- oder Gerätestörungen auftreten.
- Installieren Sie das Gerät nicht an einer der folgenden Orte. Feuer, Stromschlag oder Gerätestörungen können die Folge sein.
 - Orte unter direktem Sonnenlicht oder Orte in der Nähe von Heizgeräten, die in der Temperatur variieren.
 - Orte mit Staub, Öl, Chemikalien, Schwefelwasserstoff (heiße Quellen).
 - Orte, die extremer Feuchtigkeit und Luftfeuchtigkeit ausgesetzt sind, wie Bäder, Keller, Gewächshäuser, etc.
 - Orte, an denen die Temperatur extrem niedrig ist, wie z. B. in einem gekühlten Bereich oder vor einer Klimaanlage.
 - Orte, die Dampf oder Rauch ausgesetzt sind (z.B. in der Nähe von Heiz- oder Kochflächen).
 - Orte, an denen Geräusch erzeugende Geräte wie Dimmschalter oder Wechselrichter-Elektrogeräte in unmittelbarer Nähe sind.

- Orte, die häufigen Vibrationen oder Stößen ausgesetzt sind.
- Bei Geräten mit Gegensprechfunktion ist darauf zu achten, dass ein Anruftest durchgeführt wird, bei dem beide Gegensprechgeräte auf geringer Lautstärke eingestellt sind. Ein plötzlicher Anruf etc. kann ankommen und das Gehör schädigen.
- Wenn das Gerät nicht ordnungsgemäß funktioniert, ziehen Sie den Netzstecker aus der Steckdose.
- Alle Geräte, die nicht als wetterfest gekennzeichnet sind, sind nur für den Innenbereich konzipiert und nicht im Freien zu benutzen.
- Geräte, die als wetterfest gekennzeichnet sind, nicht mit Hochdruckwasser besprühen. Gerätestörungen können die Folge sein.
- Bei Sach- oder Personenschäden, die durch unsachgemäße Handhabung oder Nichtbeachten der Gefahrenhinweise verursacht werden, übernehmen wir keine Haftung. In solchen Fällen erlischt jeder Gewährleistungsanspruch! Für Folgeschäden übernehmen wir keine Haftung.

Sicherheitsanweisungen



- Die Verwendung des Geräts muss unter Beachtung der örtlich geltenden rechtlichen Bestimmungen erfolgen.
- Lagern Sie das Gerät in einer trockenen und belüfteten Umgebung.
- Achten Sie darauf, dass das Gerät weder Stößen noch starkem Druck ausgesetzt ist.
- Installieren Sie das Gerät nicht an instabilen Halterungen, Oberflächen oder Wänden. Stellen Sie sicher, dass das Material stabil genug ist, um das Gewicht des Geräts zu tragen.
- Verwenden Sie bei der Installation des Geräts ausschließlich passende Werkzeuge. Ein zu großer Kraftaufwand mit Werkzeugen kann das Gerät beschädigen.
- Verwenden Sie keine chemischen, ätzenden oder aerosolhaltigen Reinigungsmittel.
- Verwenden Sie zum Reinigen ein sauberes, trockenes Tuch.

- Verwenden Sie nur Zubehör, das den technischen Daten des Geräts entspricht. Dieses ist von Bird Home Automation GmbH erhältlich.
- Verwenden Sie ausschließlich Ersatzteile die von Bird Home Automation GmbH bereitgestellt oder empfohlen werden.
- Versuchen Sie nicht, das Gerät selbstständig zu reparieren. Wenden Sie sich bezüglich Reparatur und Wartung an Bird Home Automation GmbH.
- Halten Sie das Gerät mehr als 1 m (3,3") entfernt von Mikrowelle, Radio, TV, WLAN Router und anderen drahtlosen Geräten.
- Bei Geräten mit Gegensprechfunktion oder eingebautem Lautsprecher oder eingebautem Mikrofon oder Signalübertragungsfunktion, installieren Sie die Drähte mehr als 30 cm (12") entfernt von 100-240 V Wechselstromverdrahtung. Ansonsten können Wechselstrom-induzierte Geräusche und/oder Geräte-Störungen auftreten.
- Installieren Sie das Gerät in einem Bereich, der für zukünftige Inspektionen, Reparaturen und Wartungen zugänglich ist.
- Wenn das Gerät in der Nähe eines Mobiltelefons verwendet wird, kann das Gerät gestört werden.
- Das Gerät kann beschädigt werden, wenn es fallen gelassen wird. Mit Vorsicht behandeln.
- Das Gerät wird während eines Stromausfalls außer Betrieb gesetzt.
- Bei Geräten mit Gegensprechfunktion oder eingebautem Lautsprecher oder eingebautem Mikrofon kann das Gerät in Bereichen, in denen Antennen von Mobilfunksendern, Radio- oder TV-Sendern in der Nähe sind, beeinträchtigt werden.
- Bei Geräten mit LCD-Bildschirm muss im Voraus darauf hingewiesen werden, dass bei einem LCD-Panel, obwohl es mit sehr hohen Präzisionstechniken hergestellt wird, unvermeidlich ein sehr kleiner Teil seiner Bildelemente nicht immer beleuchtet oder gar nicht beleuchtet wird. Dies gilt nicht als Gerätefehler.
- Bei Geräten mit Gegensprechfunktion können Umgebungsgeräusche um das Gerät herum eine reibungslose Kommunikation behindern. Dies ist keine Fehlfunktion.

NOTICE

- Bei Geräten mit Benutzername/Passwort ist der Anwender für den Zugriff mittels Benutzername/Passwort auf das Gerät verantwortlich. Vergewissern Sie sich ein Passwort zu verwenden, das von einem Dritten nicht leicht erraten werden kann. Wir empfehlen Ihnen, das Passwort regelmäßig zu ändern.
- Wir haften unter keinen Umständen für Schäden, die aufgrund von Fehlern in der Stromversorgung, Netzwerkgeräten oder Endgeräten auftreten; Ausfälle aufgrund von Internetanbietern und Mobilfunkanbietern; Ausfälle aufgrund von getrennten oder gestörten Leitungen und andere Übertragungsverluste, die es unmöglich machen, unseren Dienst zu erbringen, sowie allen anderen Ursachen die außerhalb unserer Verantwortung liegen; Oder, wenn während der Übertragung ein Fehler oder fehlende Daten auftreten.

Transport

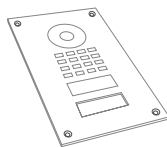
NOTICE

Bei Bedarf transportieren Sie das Gerät in der Originalverpackung oder einer entsprechenden Verpackung, so dass Schäden vermieden werden.

Gewährleistung

Informationen zur Gewährleistung des Geräts finden Sie unter www.doorbird.com/de/warranty

KOMPONENTEN*



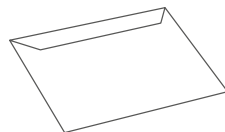
1x Elektrische Haupteinheit mit Ruftaste und Frontblende



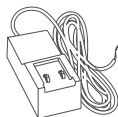
1x Installationsanleitung



1x Quickstartanleitung mit Digital Passport



1x Wasserfestes A4 Laserdrucker-Papier für die Beschriftung einer Namensschildtaste



1x Steckernetzteil (110 - 240 V AC auf 15 V DC) mit 4 Landesadaptern



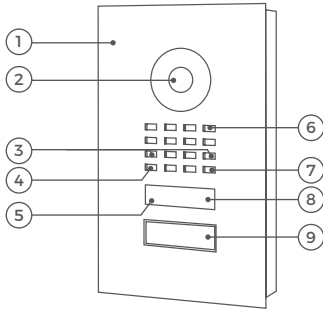
1x Schraubanschlussklemmenstecker



Kleinteile

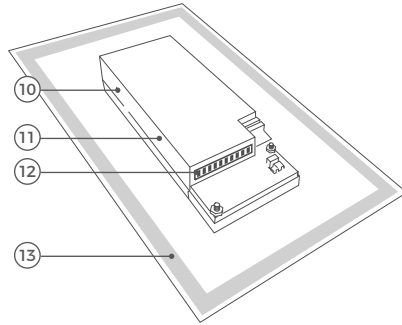
D1101UV

Vorderseite



- 1) Frontblende
- 2) HDTV Video
- 3) Sicherheitsschrauben
- 4) Lichtsensor
Für den Nachtsichtmodus
- 5) Bluetooth-Transceiver
- 6) Lautsprecher
- 7) Mikrofon
- 8) 4D Bewegungssensor
- 9) Beleuchtete Ruftaste mit Namensschild

Innenseite



- 10) Diagnose LED
Leuchtet nach ein paar Sekunden auf nachdem das Gerät mit dem Strom verbunden wurde
- 11) Elektrische Haupteinheit
- 12) Schraubklemmenblock
- 13) Dichtung

VIDEOS

Sie können sich durch die Installation mit unseren Installationsvideos auf www.doorbird.com/de/support begleiten lassen. In den Videos wird jeder Installations-schritt einzeln und gut dokumentiert dargestellt.

INSTALLATION

Alle folgenden Schritte sollten von einem fachkundigen Erwachsenen sorgsam und unter Berücksichtigung sämtlicher geltender Schutzvorschriften durchgeführt werden. Sollten Sie Fragen haben, wenden Sie sich bitte direkt an uns oder einen kompetenten Fachmann.



Achten Sie darauf, dass alle Drähte, die Sie für die Installation verwenden, über die gesamte Länge unbeschädigt und für die Verwendungsart zugelassen sind.

Netzwerkgeschwindigkeit und Netzwerkkomponenten

Stellen Sie sicher, dass Ihre Internetverbindung über mindestens 0,5 Mbit/s Uploadgeschwindigkeit verfügt. Sie können über die DoorBird App jederzeit auch einen Geschwindigkeitstest durchführen. Das Nutzererlebnis ist nur so gut wie die Netzwerkgeschwindigkeit, Netzwerkstabilität und Qualität Ihrer Netzwerk-komponenten, wie z.B. Ihr Internet Router und WLAN Access Points oder WLAN Repeater. Stellen Sie sicher, dass Ihre Netzwerkkomponenten nicht älter als zwei Jahre sind, von einem namhaften Hersteller gefertigt wurden und über die neuste Firmware verfügen. Sind diese Voraussetzungen nicht erfüllt, kann es z.B. dazu kommen, dass Audio- und Videoverbindungen schlecht sind oder Push-Nachrichten verzögert oder gar nicht auf Ihrem Smartphone oder Tablet ankommen.

Anforderungen:

High Speed Internet (Festnetz): DSL, Kabel oder Glasfaser

Netzwerk: Ethernet Netzwerk, mit DHCP

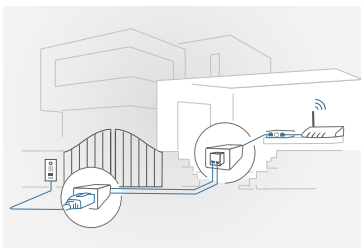
HINWEISE ZUR NETZWERKVERBINDUNG

Sie können das Gerät über ein Netzwerkkabel mit dem Netzwerk verbinden. Die Anbindung per WLAN ist nicht möglich!

Installieren Sie ein Netzwerkkabel (das an einen Netzwerk-Switch/Router mit Internetzugang angeschlossen ist) von der Innenseite Ihres Gebäudes zum Montageort. Das Netzwerkkabel zwischen dem Montageort und dem Netzwerk-Switch/Router kann eine maximale Länge von 80 m (IEEE 802.3) aufweisen. Wenn Sie eine Entfernung von mehr als 80 m überwinden müssen, können Sie einen Netzwerk-Switch dazwischen platzieren.



Wenn Sie nur zwei Drähte am Montageort zur Verfügung haben, können Sie den „DoorBird 2-Draht Ethernet PoE Konverter A1071“ verwenden, der separat erhältlich ist. Er ermöglicht es Ihnen, Netzwerkdaten (Ethernet) und Strom (PoE) über eine einfache Zweidrahtleitung über weite Strecken hinweg zu übertragen. So können Sie Bestandsgebäude, die z.B. nur über einen einfachen zweiadrigen Klingeldraht verfügen, mit Netzwerktechnologie ausstatten, ohne hierfür nachträglich ein Netzwerkkabel verlegen zu müssen.



1

STROM ABSCHALTEN

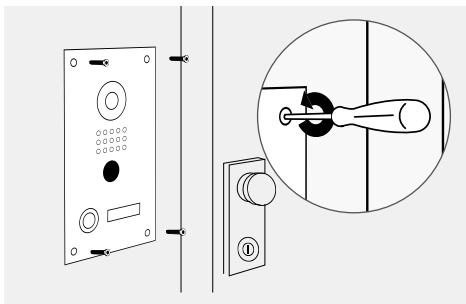


Schalten Sie den Strom sämtlicher zum Montageort führenden Leitungen ab, d.h. z.B. den Strom für die Türstation, den Türgong, elektrischen Türöffner, PoE-Switch/PoE-Injektor etc.

2

DEMONTAGE DER BESTEHENDEN FRONTBLENDE

Drehen Sie die Sicherheitsschrauben gegen den Uhrzeigersinn, bis sie sich lösen.



Trennen Sie alle Kabel von der Haupteinheit Ihres D202 oder D201. Entfernen Sie die D201/D202 Frontblende mit der Haupteinheit vorsichtig vom Montagerückgehäuse.

3

GERÄT ANSCHLIESSEN

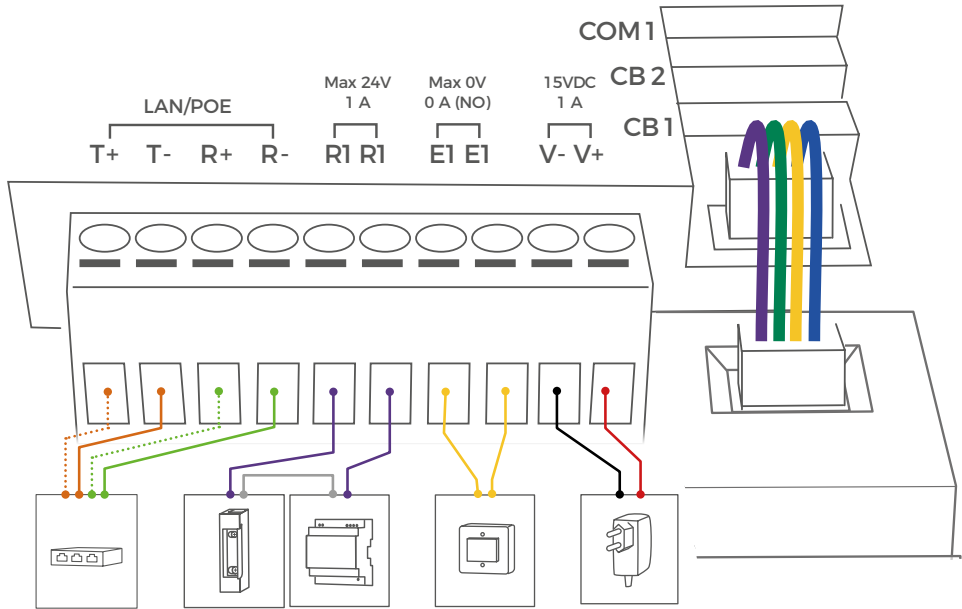
Sie können jetzt alle erforderlichen Kabel und Drähte mit dem Gerät verbinden.



Zur einfacheren Installation empfehlen wir dringend, die Schraubanschlussklemmenstecker von der Schraubanschlussklemmenbuchse zu entfernen, während Sie die Kabel und Drähte anschließen.



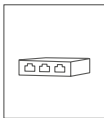
Entfernen Sie bitte die Kabel und Drähte von den Schraubanschlussklemmensteckern des Geräts, die Sie nicht benötigen.



ANSCHLÜSSE

BESCHREIBUNG

LAN/POE



Das Gerät kann nicht über WLAN mit dem Netzwerk verbunden werden. Bitte beachten Sie hierzu den Absatz „Hinweise zur Netzwerkverbindung“ vor Schritt 1.

Verwenden Sie nur vier Adern (1, 2, 3 und 6) eines Standard-Netzwerkabels Cat.5 oder besser, das vom Internet-Router/PoE-Switch/PoE-Injector kommt.

Cat.5 / Cat.6 Netzwerkabel



- T+ Weiße und orangefarbene Netzwerkkabelader (Nummer 1, Transmit Data -)
- T- Orangefarbene Netzwerkkabelader (Nummer 2, Transmit Data -)
- R+ Weiße und grünfarbene Netzwerkkabelader (Nummer 3, Receive Data +)
- R- Grünfarbene Netzwerkkabelader (Nummer 6, Receive Data -)

Cat.7 Netzwerkabel (Installationskabel)

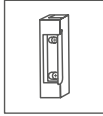
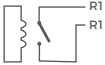


- T+ Weiße Netzwerkkabelader aus dem Aderpaar „orange/weiß“ (Nummer 1, Transmit Data +)
- T- Orange Netzwerkkabelader aus dem Aderpaar „orange/weiß“ (Nummer 2, Transmit Data -)
- R+ Weiße Netzwerkkabelader aus dem Aderpaar „grün/weiß“ (Nummer 3, Receive Data +)
- R- Grüne Netzwerkkabelader aus dem Aderpaar „grün/weiß“ (Number 6, Receive Data -)



Kombinieren Sie die Stromversorgung per Steckernetzteil nicht mit der Stromversorgung per PoE.

R1, R1

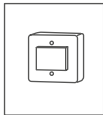


Bi-stabiles selbsthaltendes Schaltrelais #1, max. 24 V DC/AC, 1 A.
 Sicherheitsfeature: Das Relais behält den Zustand auch bei Spannungsverlust. Sie können den Standardzustand des Relais (geöffnet/ geschlossen) über die DoorBird App konfigurieren. Diese Anschlüsse können verwendet werden, um z.B. einen elektrischen Türöffner oder Aufzugruf anzuschließen. Das Gerät bietet keine Stromversorgung für einen elektrischen Türöffner. Die Stromversorgung für einen elektrischen Türöffner muss separat installiert werden.



Bitte beachten: Wenn Sie einen elektrischen Türöffner direkt mit einer Türstation verdrahten, könnte der elektrische Türöffner durch unbefugte Dritte manipuliert werden (z.B. indem man die Türstation aufbricht und die Verdrahtung des Türöffners kurzschließt). Wir empfehlen daher für die Verdrahtung eines elektrischen Türöffners generell den Einsatz eines abgesetzten Sicherheitsrelais, das im Hausinneren montiert wird (z.B. DoorBird E/A Tür Controller A1081).

E1, E1

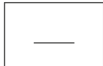


Digitaler Eingang (0 V, 0 A (NO)), für Türöffnertaster, max. 0 V DC/AC, 0 A. Dieser Anschluss kann verwendet werden, um z.B. einen Türöffnertaster im Hausinneren an das Gerät anzuschließen. Der Kontakt schaltet das erste bi-stabile selbsthaltende Schaltrelais (R1, R1).

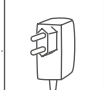


Beachten Sie bitte, dass Sie keine Spannung auf diese Anschlüsse geben. Dies kann das Gerät sofort zerstören.

15 VDC -



Eingang 15 V DC Spannungsversorgung, Minuspol (-). Bitte verbinden Sie den schwarzen Draht des mitgelieferten Netzteils (Netzadapter) mit diesem Anschluss, wenn Sie das Gerät nicht mit PoE versorgen.



Kombinieren Sie die Stromversorgung per Steckernetzteil nicht mit der Stromversorgung per PoE.

15 VDC +



Eingang 15 V DC Spannungsversorgung, Pluspol (+). Bitte verbinden Sie den roten Draht des mitgelieferten Netzteils (Netzadapter) mit diesem Anschluss, wenn Sie das Gerät nicht mit PoE versorgen.



Kombinieren Sie die Stromversorgung per Steckernetzteil nicht mit der Stromversorgung per PoE.

COM 1

Steckplatz für zukünftige autorisierte Peripheriegeräte von Bird Home Automation, z.B. Tastatur

CB 2

Steckplatz für den Anschluss einer zweiten Ruftaste

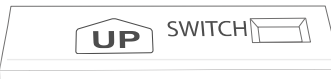
CB 1

Steckplatz für den Anschluss der ersten Ruftaste



Die Steckplätze „CB1“, „CB2“ und „COM1“ auf der Rückseite der elektrischen Haupteinheit dürfen nur zum Anschluss von Komponenten verwendet werden, die von Bird Home Automation zertifiziert sind.

ANSCHLÜSSE DER RUFTASTE



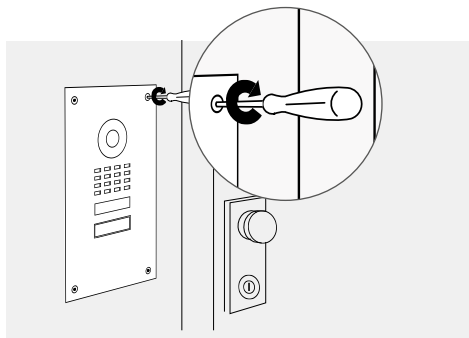
SWITCH
(4 PIN)

Verwenden Sie das mitgelieferte vieradrige Ruftastenkabel, um die Ruftaste mit der elektrischen Haupteinheit zu verbinden (bereits im Auslieferungszustand am Steckplatz „CB1“ angeschlossen).



Bitte gehen Sie sorgsam beim Anschluss der Kabel und Drähte vor, ein falscher Anschluss kann das Gerät zerstören. Drähte ohne Isolierungen dürfen nicht aus dem grünen Schraubklemmenblock herausragen, dies kann zu einem elektrischem Kurzschluss und zur Zerstörung des Geräts führen.

Montieren Sie die Frontblende inklusive der elektrischen Haupteinheit vorsichtig mit Hilfe der mitgelieferten Schraubendreher am Montagegehäuse.



Drehen Sie die Sicherheitsschrauben im Uhrzeigersinn bis sie festangezogen sind.

Wenn das Gerät per Steckernetzteil mit Strom versorgt werden soll, stecken Sie das Steckernetzteil des Geräts in eine Wandsteckdose. Wenn das Gerät per PoE mit Strom versorgt werden soll, schalten Sie den PoE-Switch/PoE-Injektor ein, der mit dem Gerät verbunden ist. Wenn das Gerät über die Hutschienenstromversorgung versorgt werden soll, schalten Sie die Hutschienenstromversorgung ein.

Ob das Gerät mit Strom versorgt ist, sehen Sie anhand der Diagnose-LED. Diese leuchtet nach ein paar Sekunden in grün, nachdem man die Stromversorgung angeschlossen hat. Das Gerät ist nun betriebsbereit.

Sollte die Diagnose-LED nicht leuchten, prüfen Sie bitte die Stromversorgung. Wenn Sie ein Steckernetzteil und nicht PoE verwenden, prüfen Sie insbesondere, ob Sie den Pluspol und Minuspol korrekt an das Gerät angeschlossen haben.

Das Gerät ist betriebsbereit (Bootvorgang, etwaige Softwareupdates etc.), sobald dieses einen kurzen Diagnose-Ton aus dem integrierten Lautsprecher ausgegeben hat. Dies kann bis zu 5 Minuten dauern.

Laden Sie sich die App "DoorBird" von Bird Home Automation aus dem Apple App Store bzw. Google Play Store auf Ihr mobiles Endgerät. Die stets aktuelle Version der App Bedienungsanleitung finden Sie unter www.doorbird.com/de/support

Wenn Sie das Gerät über WLAN mit Ihrem Internet-Router verbinden, gehen Sie zunächst in die DoorBird App > „WiFi Setup“ und folgen Sie den Anweisungen.

Wenn Sie das WLAN-Setup abgeschlossen oder das Gerät über ein Netzwerkkabel mit Ihrem Internet-Router verbunden haben, gehen Sie in der DoorBird App auf „Gerät hinzufügen“ und klicken Sie auf das QR-Code Symbol im Feld „Benutzer“. Scannen Sie den Benutzer QR-Code auf dem beiliegenden „Digital Passport“.

Falls Sie Probleme beim Hinzufügen des Geräts zur App haben, prüfen Sie bitte, ob das Gerät online ist (www.doorbird.com/de/checkonline). Sollte das Gerät nicht online sein, prüfen Sie bitte die Netzwerkverbindung und Stromversorgung des Geräts.

DIAGNOSE-LED

Ob das Gerät mit Strom versorgt ist, sehen Sie anhand der Diagnose-LED. Diese leuchtet nach ein paar Sekunden, nachdem man die Stromversorgung angeschlossen hat.

Die Diagnose-LED ist so konzipiert, dass sie nur leicht aufleuchtet.

DIAGNOSE-TÖNE

Nach ca. einer Minute gibt das Gerät nach dem Anschluss an die Stromversorgung / Netzwerk / Internet kurze Diagnosetöne von sich.

LINSE

Das Produkt verwendet eine entzerrte Wide-Eye hemisphärische Linse (HD). Aufgrund des großen Erfassungswinkel (horizontal, vertikal, diagonal) kann ein kleiner Rand in den Ecken des Bildes sowie Reflexionen im Bild von der Oberfläche auf der Vorderseite des Geräts in Erscheinung treten.

BEWEGUNGSSENSOR

Das Gerät verfügt über einen integrierten Bewegungssensor mit 4D Technologie. Sie können diesen für zahlreiche Anwendungen nutzen, z.B. um einen Alarm an ein mobiles Endgerät zu senden oder um ein Relais zu schalten, das ein Außenlicht einschaltet.

Die einstellbare Entfernung ist optimiert auf eine 1,75m große 70kg schwere Person in freier Umgebung. Die Genauigkeit der Entfernung des Bewegungssensor kann je nach Umgebungssituation variieren.

BLUETOOTH TRANSCEIVER

Das Gerät verfügt über einen integrierten Bluetooth® Transceiver. Wir werden in Kürze weitere Funktionen für interessante Anwendungen hinzufügen. Bitte besuchen Sie unseren Firmen-News-Blog oder die neueste Version dieses Handbuchs unter www.doorbird.com/support für Updates.

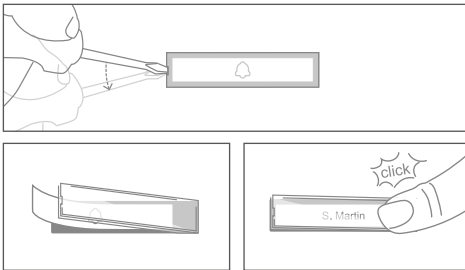
API

Das Gerät verfügt über eine gut dokumentierte API für die Integration in Anwendungen Dritter. Weitere Informationen finden Sie unter www.doorbird.com/de/api

DOORBIRD CONNECT

Das Gerät bietet viele Möglichkeiten zur Intergration in Anwendungen von Drittanbietern. Informationen, Bedingungen und Konditionen finden Sie unter www.doorbird.com/connect

BESCHRIFTUNG EINES NAMENSSCHILDS WECHSELN



WARTUNG DER FRONTPLATTE

Pflege und Reinigung

Alle DoorBird Frontblenden werden aus hochwertigen Materialien gefertigt und sind für eine lange Lebensdauer ausgelegt. Da Türstationen meistens im ungeschützten Außenbereich montiert werden, sind sie widrigen Witterungsbedingungen und aggressiven Substanzen ausgesetzt, insbesondere an Straßen, in Küstennähe und in Industriegebieten. Bitte beachten Sie daher folgende Hinweise zur Pflege. Wir können leider für Schäden keine Haftung übernehmen, wenn diese Hinweise nicht beachtet werden.

NOTICE Aggressive Verschmutzungen wie z.B. Vogelkot sollten schnellstens entfernt werden.

NOTICE Bitte benutzen Sie niemals scheuernde oder schleifende Reinigungsmittel wie Stahlwolle oder Scheuermilch!

Meistens genügt schon warmes Wasser, gegebenenfalls mit etwas Spülmittel, ein weiches Tuch oder Bürste. Kunststoffteile (Kamera oder Namensschilder) dürfen nicht mit einem Metallpflegemittel behandelt werden. Entfernen Sie nach der Pflege alle Reste und Rückstände von Reinigungs- oder Schmiermitteln, um Flecken oder Verfärbungen zu vermeiden.

Edelstahl

Für DoorBird Türstationen werden ausschließlich hochwertige Edelstahl verwendet. Aber auch hochwertiger Edelstahl kann rosten, denn Edelstahl besteht zu ca. 70 % aus Eisen. Die Rostbeständigkeit wird lediglich durch eine Schutzschicht (auch Passivschicht genannt) erzeugt, die sich wie eine Haut über das Eisen legt. Diese Schutzschicht besteht im Wesentlichen aus Chrom und anderen Edelmetallen.

Eisenpartikel, Schleifstaub und Späne, die sich auf Edelstahl ablagern, können zu Korrosion führen (Flugrost). Diese Eisenteile in der Luft sind überall zu finden, aber besonders in Industriegebieten, in Küstennähe und an stark befahrenen Straßen. Bitte entfernen Sie eisenhaltige Ablagerungen umgehend, da sie bei Nichtentfernen Ihre Türstation angreifen und zu echtem Rost führen. Zur Rostbeseitigung genügt ein einfaches Abwischen des Staubes, darüber hinaus ist ein Pflegemittel zu empfehlen, wie z.B. WD 40, erhältlich u.a. bei Amazon für unter € 5,00. Einfach dünn auftragen und verreiben. Gleiches gilt, wenn sich an den Gravuren in der Edelstahloberfläche Rost bildet.

Zement- oder Kalkspritzer sollte man so schnell wie möglich vor ihrer Aushärtung vorsichtig mit einem Holzspatel abtragen.

Folgende Reinigungsmittel dürfen nicht verwendet werden, da sie die Korrosionsbeständigkeit verringern:

- Chloridhaltige und salzsäurehaltige Produkte
- Bleichmittel (bei versehentlichem Gebrauch gründlich mit Wasser abspülen)
- Silberputzmittel

Nach jeder Reinigung mit klarem Wasser nebefeucht nachwischen und trockenreiben, um die Bildung von Kalkspuren zu verhindern. Durch Nutzung von entmineralisiertem Wasser lassen sich Kalkrückstände vermeiden.

Edelstahl PVD beschichtet

PVD beschichtete, verchromte oder vergoldete Oberflächen empfehlen wir mit fettlösendem Spülmittel und klarem Wasser oder mit einem sauberen und staubfreien Mikrofasertuch zu reinigen. Bei Hochglanzoberflächen ist ein kratzfreies Tuch (z. B. Brillenputztuch, Möbelpoliertuch o. ä.) zu verwenden.

Lackierte Oberflächen

Reinigen Sie Lackoberflächen und Beschriftungen mit einem mit milder Seifenlösung angefeuchteten, weichen, kratzfreiem Tuch (z. B. Brillenputztuch,

Möbelpoliertuch o. ä.). Damit keine Flecken oder Verfärbungen entstehen, sollte das Pflegemittel rückstandslos abgewischt werden. Gehen Sie bei Beschriftungen besonders behutsam vor, um die Folie oder den Aufdruck nicht zu beschädigen.



TROUBLESHOOTING

Das Gerät startet nicht

Wenn das Gerät per Steckernetzteil mit Strom versorgt werden soll, stecken Sie das Steckernetzteil des Geräts in eine Wandsteckdose. Wenn das Steckernetzteil bereits an eine Steckdose angeschlossen war, überprüfen Sie, ob die Kabel und Leitungen korrekt an die grünen Schraubklemmanschlüsse des Geräts angeschlossen sind. In den meisten Fällen hilft das Entfernen der Kabel und Leitungen von den Schraubklemmanschlusssteckern und das Wiederverbinden mit den Schraubanschlusssteckern (loser Kontakt). Wenn Sie mehr als ein Gerät gleichzeitig mit einem gemeinsamen Netzteil betreiben, prüfen Sie, ob das Netzteil über die gesamte Kabellänge ausreichend Strom liefern kann und die Kabel dafür ausgelegt sind.

Wenn das Gerät per PoE mit Strom versorgt werden soll, schalten Sie den PoE-Switch / PoE-Injektor ein, der mit dem Gerät verbunden ist. Wenn das PoE-Switch / PoE-Injektor bereits eingeschaltet war, überprüfen Sie, ob die Kabel und Leitungen korrekt an die grünen Schraubklemmanschlüsse des Geräts angeschlossen sind. In den meisten Fällen hilft das Entfernen der Kabel und Leitungen von den Schraubklemmanschlusssteckern und das Wiederverbinden mit den Schraubanschlusssteckern (loser Kontakt). Wenn das Problem weiterhin besteht, überprüfen Sie bitte, ob Ihr PoE-Switch / PoE-Injektor den PoE-Standard IEEE 802.3af Mode A unterstützt, siehe auch www.doorbird.com/de/poe

Wenn das Gerät über ein Hutschinenetzteil versorgt werden soll, schalten Sie die das Hutschinenetzteil jetzt ein. Wenn das Hutschinenetzteil bereits eingeschaltet war, überprüfen Sie, ob die Kabel und Leitungen korrekt an die grünen Schraubklemmanschlüsse des Geräts angeschlossen sind. In den meisten Fällen hilft das Entfernen der Kabel und Leitungen von den Schraubklemmanschlusssteckern und das Wiederverbinden mit den

Schraubanschlussteckern (loser Kontakt). Wenn Sie mehr als ein Gerät gleichzeitig mit einem gemeinsamen Netzteil betreiben, prüfen Sie, ob das Netzteil über die gesamte Kabellänge ausreichend Strom liefern kann und die Kabel dafür ausgelegt sind.

Das Gerät verbindet sich nicht über ein Netzwerkkabel mit dem Netzwerk („No Network“ Diagnoseton).

In den meisten Fällen hilft das Entfernen der Kabel und Leitungen von den Schraubklemmanschlusssteckern und das Wiederverbinden mit den Schraubanschlussteckern (loser Kontakt). Wenn das Problem weiterhin besteht, überprüfen Sie bitte, ob das Netzwerkkabel ordnungsgemäß mit Ihrem Router/Switch verbunden ist und das Netzwerkkabel nicht beschädigt ist.

Wenn das Problem weiterhin besteht, überprüfen Sie bitte, ob Ihr Router „DHCP Server“ eingeschaltet hat und dem Gerät eine IP-Adresse zuweisen kann.

Das Gerät stellt keine Verbindung zum Internet her („No Internet“ Diagnoseton).

In den meisten Fällen ist Ihr Internet nicht erreichbar/gestört oder Ihr Router blockiert den Internetzugang für das Gerät. Bitte besuchen Sie www.doorbird.com/downloads/ports.pdf

Wenn das Problem weiterhin besteht, überprüfen Sie bitte ob das DHCP Ihres Routers aktiviert ist und dem Gerät eine IP-Adresse zuweisen kann.

Das Gerät stellt keine Verbindung zum Internet her

In den meisten Fällen ist Ihr Internet nicht erreichbar/gestört oder Ihr Router blockiert den Internetzugang für das Gerät. Bitte besuchen Sie www.doorbird.com/downloads/ports.pdf

RECHTLICHE HINWEISE

Allgemeines

1. DoorBird ist ein registriertes Warenzeichen der Bird Home Automation GmbH.
2. Apple, das Apple Logo, Mac, Mac OS, Macintosh, iPad, Multi-Touch, iOS, iPhone und iPod touch sind Warenzeichen von Apple Inc.
3. Google, Android und Google Play sind Warenzeichen von Google, Inc.
4. Die Bluetooth® Wortmarke und Logos sind Warenzeichen von Bluetooth SIG, Inc.
5. Alle anderen Firmen- und Produktnamen können Warenzeichen der jeweiligen Firmen sein, mit denen sie in Verbindung gebracht werden.
6. Änderungen an unseren Produkten, die dem technischen Fortschritt dienen, behalten wir uns vor. Die abgebildeten Produkte können im Zuge der ständigen Weiterentwicklung auch optisch von den ausgelieferten Produkten abweichen.
7. Abdrucke oder Übernahme von Texten, Abbildungen und Fotos in beliebigen Medien aus dieser Anleitung – auch auszugsweise – sind nur mit unserer ausdrücklichen schriftlichen Genehmigung gestattet.
8. Die Gestaltung dieser Anleitung unterliegt dem Urheberrecht. Für eventuelle Irrtümer, sowie inhaltliche- bzw. Druckfehler (auch bei technischen Daten oder innerhalb von Grafiken und technischen Skizzen) übernehmen wir keine Haftung.
9. Unsere Produkte entsprechen den in Deutschland, der in Deutschland, EU und USA geltenden technischen Richtlinien, elektrischen Bestimmungen und Telekommunikationsbestimmungen.

Datenschutz und Datensicherheit

1. Für maximale Sicherheit verwendet das Gerät dieselben Verschlüsselungstechnologien wie beim Onlinebanking. Zu Ihrer Sicherheit sind auch keine Portweiterleitungen oder DynDNS im Einsatz.
2. Der Standort des Rechenzentrums für den Fernzugriff per App über das Internet ist verbindlich in der EU, wenn der festgestellte Internet IP-Adressen Standort des Geräts in der EU ist. Das Rechenzentrum wird nach strengsten Sicherheitsstandards betrieben.
3. Video-, Audio- und jede andere Überwachungsmethode können durch Gesetze geregelt werden, die von Land zu Land variieren. Überprüfen Sie die Gesetze in Ihrer Region vor der Installation und Verwendung dieses Gerätes für Überwachungszwecke. Wenn es sich bei dem Gerät um eine Tür-, Innenstation oder Kamera handelt:
 - In vielen Ländern darf Videobild und Sprache erst dann übertragen werden, wenn ein Besucher geklingelt hat (Datenschutz, konfigurierbar in der App)
 - Führen Sie die Montage so durch, dass sich der Erfassungsbereich der Kamera ausschließlich auf den unmittelbaren Eingangsbereich beschränkt.
 - Das Gerät verfügt ggf. über eine integrierte Besucherhistorie und Bewegungssensor. Sie können diese Funktionen, wenn erforderlich, aktivieren/deaktivieren.

Erkundigen Sie sich beim Eigentümer und Ihrer Hausgemeinschaft, ob Sie dieses Produkt installieren und verwenden dürfen. Bird Home Automation GmbH übernimmt keine Verantwortung für den Missbrauch oder die Fehlkonfiguration dieses Produkts, auch nicht durch unerwünschtes Öffnen einer Tür. Bird Home Automation kann nicht für Schäden haftbar gemacht werden, die durch unsachgemäße bestehende Installationen oder unsachgemäße Installation entstehen. Weisen Sie bei Erfordernis an geeigneter Stelle und in geeigneter Form auf das Vorhandensein des Geräts hin.

Beachten Sie alle am Installationsort geltenden relevanten landesspezifischen gesetzlichen Regelungen für den Einsatz von Überwachungskomponenten und Überwachungskameras. Software Updates bzw. Aktualisierungen des Betriebssystems (so genannte „Firmware-Updates“) werden im Normalfall automatisch in die Produkte der Bird Home Automation GmbH über das Internet eingespielt, sofern technisch möglich. Mit automatischen Firmware-Updates wird die Software der Produkte auf dem neuesten verfügbaren Stand gehalten, damit sie stets zuverlässig, sicher und leistungsstark arbeiten. Durch Weiterentwicklung können Funktionen im Zeitverlauf hinzugefügt, erweitert oder geringfügig geändert werden. Größere

Änderungen bzw. Einschränkungen bereits vorhandener Funktionen erfolgen im Normalfall nur, sofern Bird Home Automation GmbH dies für erforderlich hält (z.B. aus Datenschutz-, Datensicherheits- oder Stabilitätsgründen oder um sie auf dem Stand der Technik zu halten). Wenn ein Firmware-Update verfügbar ist, verteilen es die Server der Bird Home Automation GmbH im Normalfall automatisch an alle kompatiblen Produkte, die mit dem Internet bzw. Server der Bird Home Automation GmbH verbunden sind. Dieser Prozess erfolgt schrittweise und kann mehrere Wochen dauern. Wenn ein Produkt ein Firmware-Update erhält, installiert es dieses und startet im Normalfall neu. Installierte Firmware-Updates können nicht rückgängig gemacht werden. Da es sich bei den Produkten und der Software der Bird Home Automation GmbH nicht um explizit kundenspezifisch entwickelte Produkte handelt, kann ein Kunde ein automatisches Update nicht verwehren, sofern das Produkt mit dem Internet bzw. Server der Bird Home Automation GmbH verbunden ist.

Entsorgungshinweis

Gerät nicht im Hausmüll entsorgen! Elektronische Geräte sind entsprechend der Richtlinie über Elektro- und Elektronik Altgeräte zu entsorgen, z.B. über die örtlichen Sammelstellen für Elektronik-Altgeräte.

Herausgeber

Bird Home Automation GmbH
Umlandstraße 165
10719 Berlin
Deutschland
Web: www.doorbird.com
Email: hello@doorbird.com

