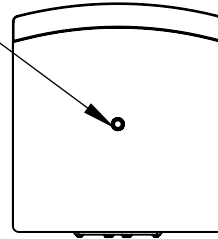


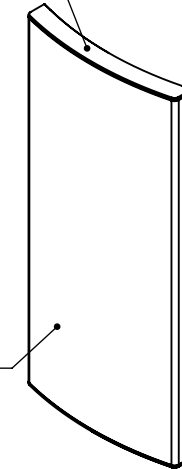
Top view

3/8-16  
Threaded  
insert

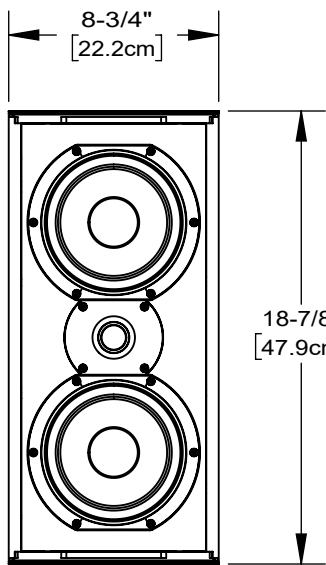
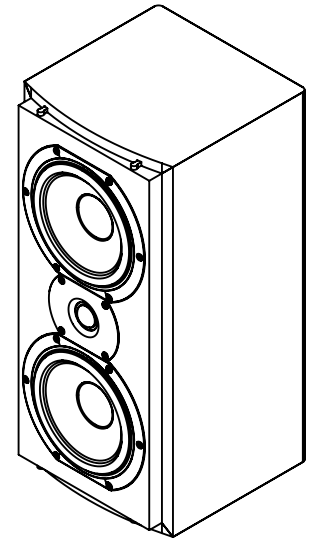


Bottom view

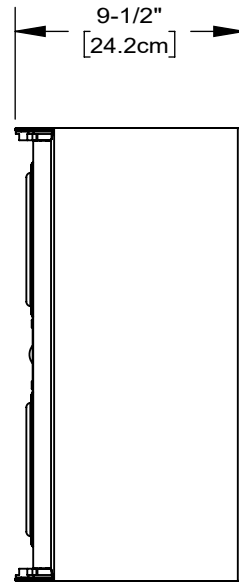
Grill end cap



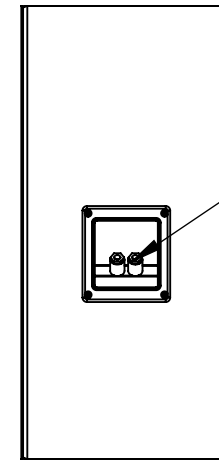
Metal perf grill



Front view



Right view



Back view

Binding posts

v1.0

**TRIAD**  
15835 NE CAMERON BLVD  
PORTLAND, OR 97230  
[www.triadaudio.com](http://www.triadaudio.com)  
503-256-2600

## In Room Silver LCR

*Copyright ©2018, Control4 Corporation. All rights reserved. Control4, the Control4 logo, the 4-ball logo, Triad, and the Triad logo, are registered trademarks or trademarks of Control4 Corporation or its subsidiaries in the United States and/or other countries. All other names and brands may be claimed as the property of their respective owners. All specifications subject to change without notice.*

